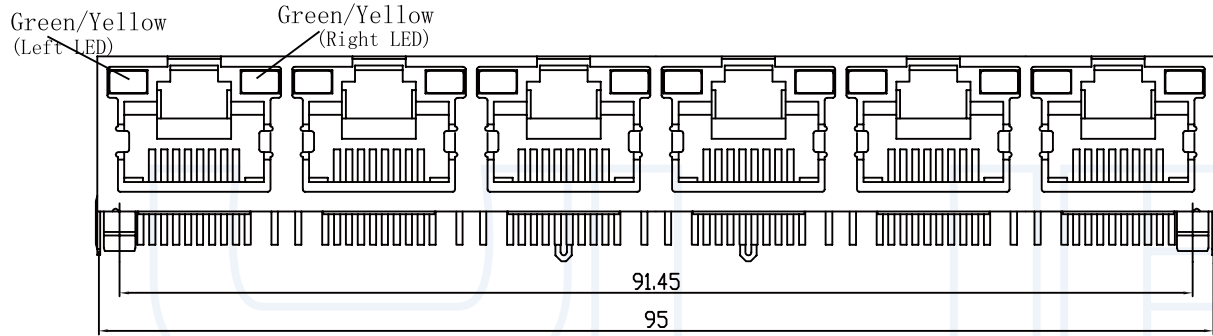
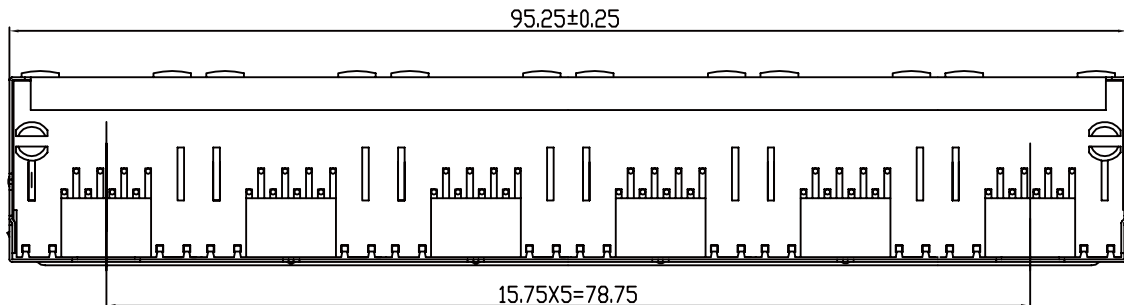


1 2 3 4 5 6 7 8 9

| | | | | | | | |
|-------|--------|-----|-------|-------------|----------|------|------|
| ANGLE | ± 5° | REV | LOCAS | DESCRIPTION | DESIGN | DATE | 卫国峰 |
| X.XXX | ± 0.05 | 01 | | | DRAWN | DATE | 尚伟 |
| X.XX | ± 0.15 | 02 | | | CHECKED | DATE | 吴汉学 |
| X.X | ± 0.25 | 03 | | | AUDITED | DATE | 龚劲松 |
| X | ± 0.50 | 04 | | | APPROVED | DATE | eric |



NOTES:

ELECTRICAL:

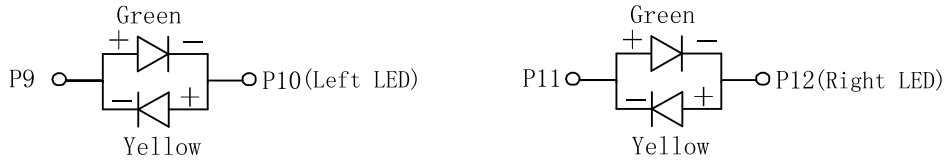
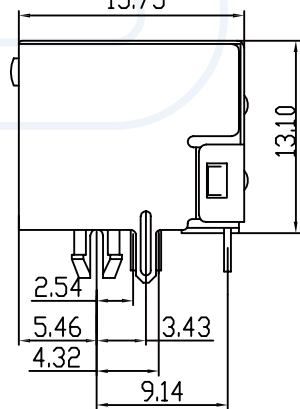
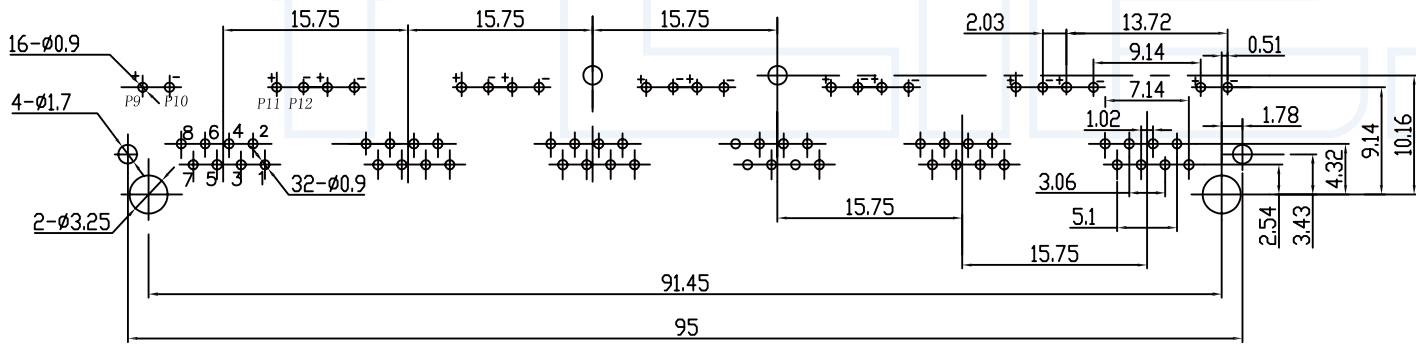
- 1. VOLTAGE RATING : 125 VAC RMS.
- 2. CURRENT RATING : 1.5 AMP.
- 3. CONTACT RESISTANCE : 30 MILLIOHMSMAX
- 4. INSULATION RESISTANCE : 500 MEGOHMS MIN @ 500 NDC.
- 5. DIELECTRIC STRENGTH : 1000 VAC RMS 50Hz or 60Hz, 1MIN.

MECHANICAL:

- 1. HOUSING & INSERT MATERIAL : PBT UL94V-0.
- 2. CONTACT MATERIAL : DIAMETERO. 45MM PHOSPHOR BRONZE GOLD PLATING OVER NICKEL.
- 3. SHIELD : 0.20°0.25MM THICKNESS BRASS WITH NI PLATED.
- 4. MATING/UNMATING FORCE : 2.2KG. F MAX.
- 5. RETENTION STRENGTH : 7.7KG. F MIN BETWEEN JACK AND PLUG.
- 6. OPERATING LIFE : 750 CYCLES MIN.

ENVIRONMENTAL:

- 1. STORAGE : -40°C ~+85°C REATIVE HUMIDITY<70%
- 2. OPERATION : -40°C ~+85°C



YL-605-11-5 1U"/3U"/6U"/15U"/30U"/50U"

| | | | | | | |
|---|-----------|-------------------------|------|------------|-------------|----------|
| 东莞市瑞翔精密连接器有限公司 DONG GUAN YLIES PRECISE CONNECTOR CO.,LTD TEL: 0769-85381995 85493987 / EMAIL: YLIES@YLIES.CN / WEB: WWW.YLIES.CN | TITLE | 56S-LED 8P8C-1X6 左绿黄右绿黄 | DATE | 2023-08-26 | | |
| | PROJECTON | REV | UNIT | SCALE | PAGE | PART NO: |
| | A | mm | 1:1 | 1/1 | YL-605-11-5 | |

1 2 3 4 5 6 7 8 9