

ANGLE	± 5°	REV	LOCAS	DESCRIPTION	DESIGN	DATE	卫国峰
X.XXX	± 0.05	01			DRAWN	DATE	尚伟
X.XX	± 0.15	02			CHECKED	DATE	吴汉学
X.X	± 0.25	03			AUDITED	DATE	龚劲松
X	± 0.50	04			APPROVED	DATE	eric

Specifications/备注 (Remark)

1-材料 (MATERIAL)

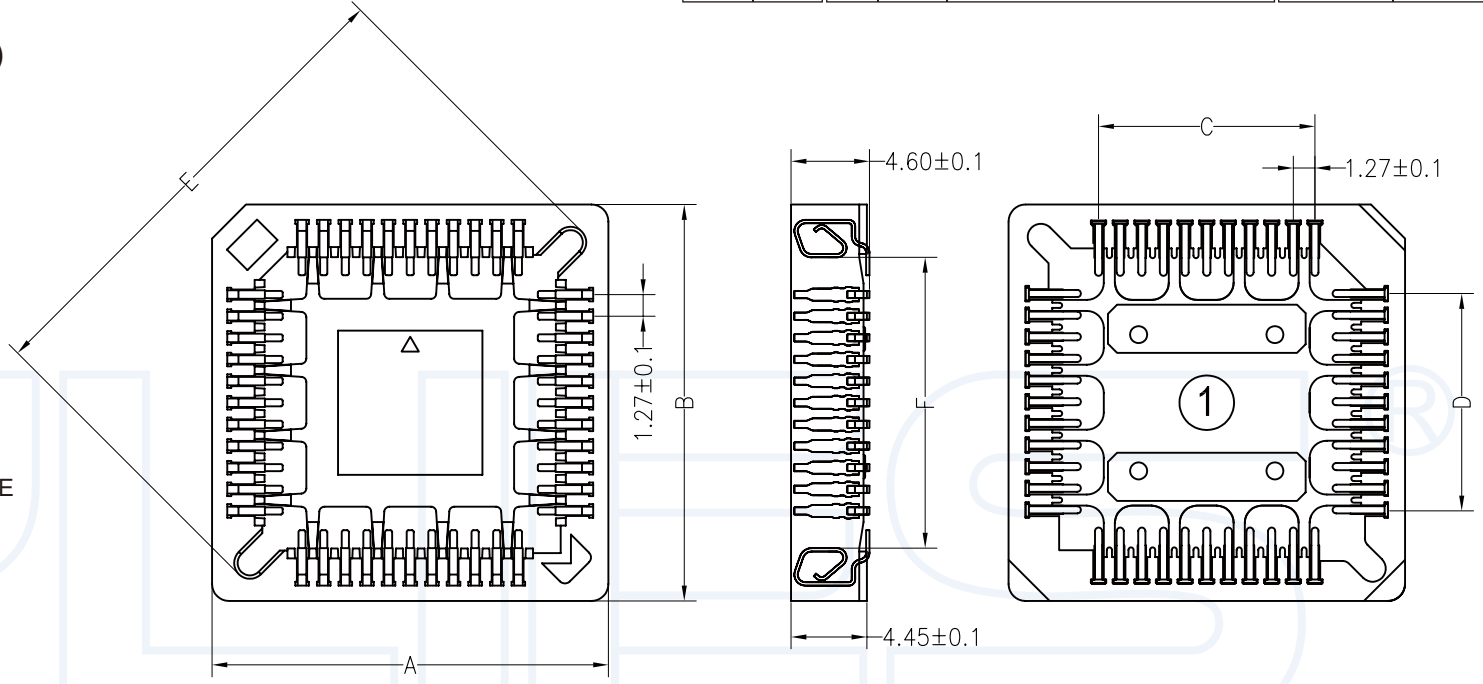
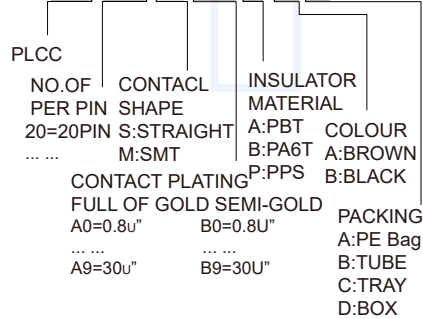
胶芯: PPS UL94V-0
Housing: PPS UL94V-0
端子: 黄铜
Contact: Copper Alloy C2680
铁壳: Shell: SUS304

2-特性 (characteristics):

额定电流: 3.0 AMP.
Raring Current: 3.0 AMP .
接触阻抗: ≤20mΩ MAX.
Contact Resistance: ≤20mΩ MAX.
绝缘阻抗: ≥1000MΩMIN.
Insulating Resistance: ≥1000MΩMIN.
耐电压: 1000V AC/MINUTE
Withstanding Voltage: 1000V AC/MINUTE
温度范围: -40度至+105度
Temperture Range: -40°Cto +105°C

ORDERING INFORMATION

PL-XX M B0 P X B



规格名称	A±0.2	B±0.2	C±0.2	D±0.2	E±0.2	F±0.2
SMT-20P	15.65	15.65	5.08	5.08	17.28	9.36
SMT-28P	18.19	18.19	7.62	7.62	20.87	12.00
SMT-32P	18.15	20.65	7.62	10.16	22.50	14.40
SMT-44P	23.27	23.27	12.70	12.70	28.30	16.99
SMT-52P	25.81	25.81	15.24	15.24	31.65	19.54
SMT-68P	30.89	30.89	20.32	20.32	38.83	24.62
SMT-84P	35.97	35.97	25.40	25.40	46.00	29.70

YLIES 东莞市瑞翔精密连接器有限公司
DONG GUAN YLIES PRECISE CONNECTOR CO.,LTD

Tel:0769-85381995 / Fax:0769-85493987 / Email: ylies@ylies.cn / Web:www.ylies.cn

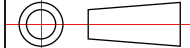
TITLE

515-PLCC SMT

DATE

2018-02-18

PROJECTON



REV

UNIT

SCALE

PAGE

PART NO:

PL-XXMB0PAB

DRAWING NO: