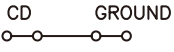
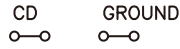


CIRCUIT:



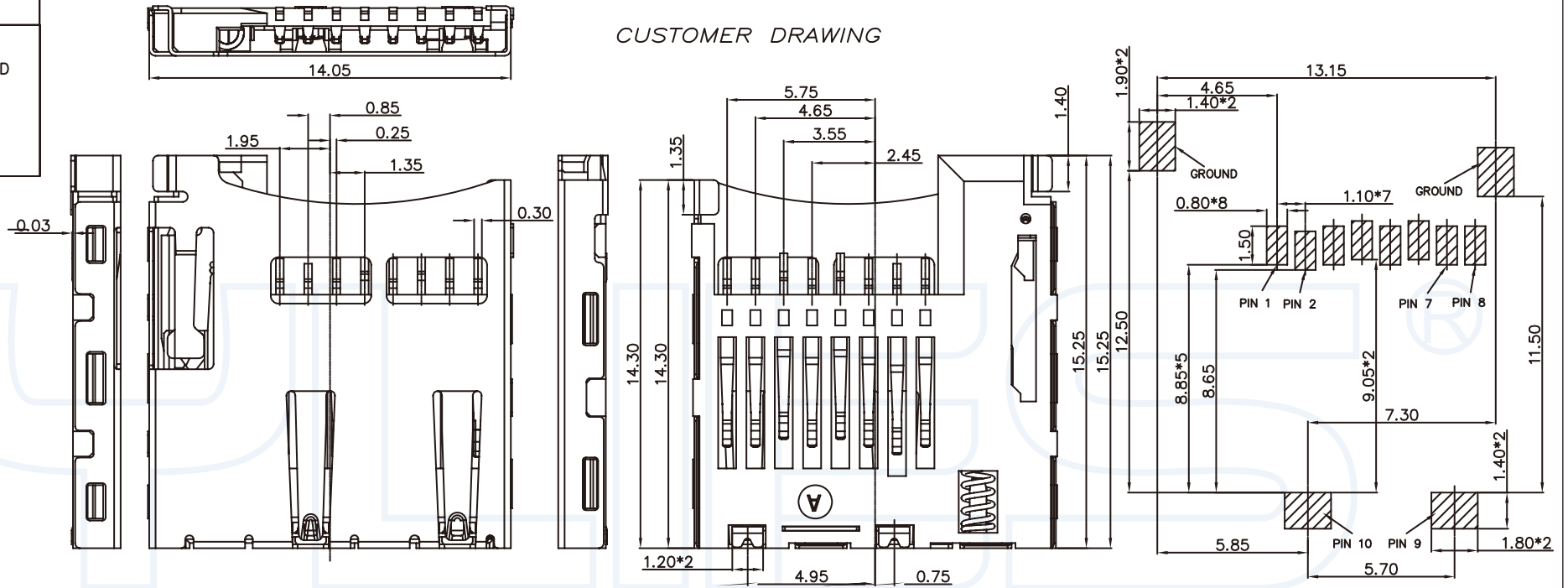
WITHOUT CARD



CARD INSERTED

ANGLE	± 5°	REV	LOCAS	DESCRIPTION	DESIGN	DATE	卫国峰
X.XXX	± 0.05	01			DRAWN	DATE	尚伟
X.XX	± 0.15	02			CHECKED	DATE	吴汉学
X.X	± 0.25	03			AUDITED	DATE	龚劲松
X	± 0.50	04			APPROVED	DATE	eric

CUSTOMER DRAWING



Specifications/
备注 (Remark)

1-材料 (MATERIAL)

胶芯: LCP UL94V-0 Housing:LCP UL94V-0

端子: 黄铜 Contact: Copper Alloy

2-特性 (characteristics):

额定电流: 0.5 AMP. Raring Current:0.5 AMP.

接触阻抗: ≤40mΩ MAX. Contact Resistance:≤40mΩ MAX.

绝缘阻抗: ≥1000MΩMIN. Insulating Resistance:≥1000MΩMIN.

耐电压: 500V AC/MINUTE Withstanding Voltage:500V AC/MINUTE

温度范围: -25度至+90度 Temperture Range: -25°Cto +90°C

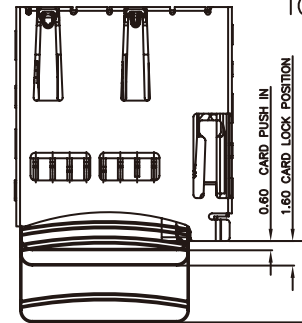
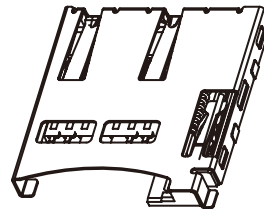
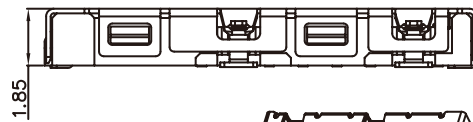
RECOMMENDED P.C.B LAYOUT

TOLERANCE:±0.05

NOTES:

PIN ASSIGNMENT AS BELOW TABLE:

PIN NO.	NAME	YYPE	DESCRIPTION
1	DAT2	I/O/PP	DATE LINE(BIT2)
2	CD/DAT3	I/O/PP	CARD DETECT DATE LIN(BIT3)
3	CMD	PP	COMMAND RESPONSE
4	VDD	S	SUPPLY VOLTAGE
5	CLX	I	CLOCK
6	VSS	S	SUPPLY VOLTAGE GROUND
7	DAT0	I/O/PP	DATE LINE(BIT0)
8	DAT1	I/O/PP	DATE LINE(DIT1)



YLIES 东莞市瑞翔精密连接器有限公司
DONG GUAN YLIES PRECISE CONNECTOR CO.,LTD

Tel:0769-85381995 / Fax:0769-85493987 / Email: ylies@ylies.cn / Web:www.ylies.cn

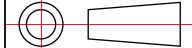
TITLE

518-TF卡座贴片 PUSH

DATE

2018-02-18

PROJECTON



REV

A

UNIT

mm

SCALE

1:1

PAGE

1/1

PART NO:

ETF0108110178013

DRAWING NO: