

ANGLE	± 5°	REV	LOCAS	DESCRIPTION	DESIGN	DATE	卫国峰
X.XXX	± 0.05	01			DRAWN	DATE	尚伟
X.XX	± 0.15	02			CHECKED	DATE	吴汉学
X.X	± 0.25	03			AUDITED	DATE	龚劲松
X	± 0.50	04			APPROVED	DATE	eric

### Specifications/备注 (Remark)

#### 1-材料 (MATERIAL)

胶芯: LCP UL94V-0  
Housing:LCP UL94V-0  
端子: 黄铜  
Contact: Copper Alloy C2680  
铁壳: Shell: SUS304

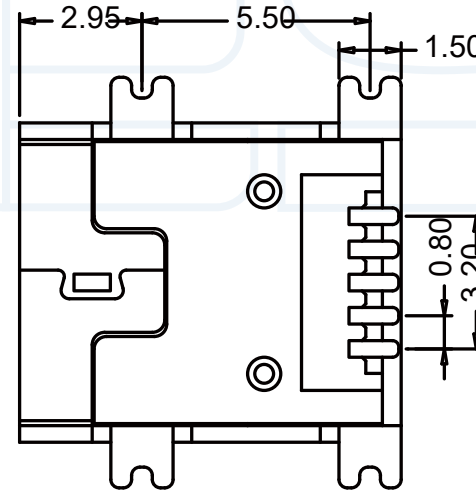
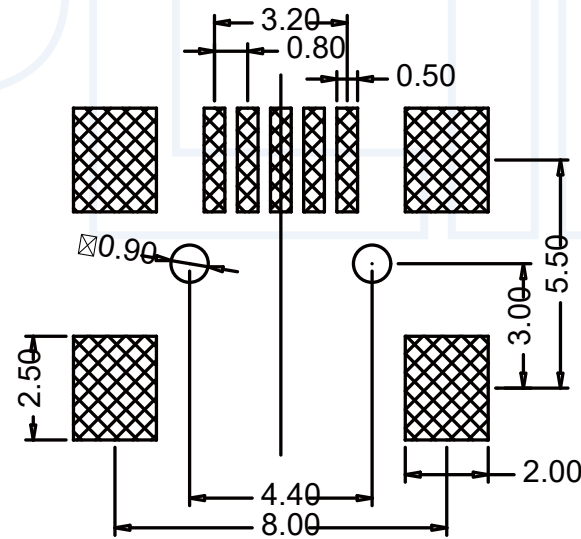
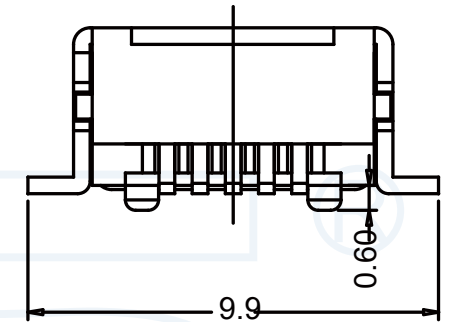
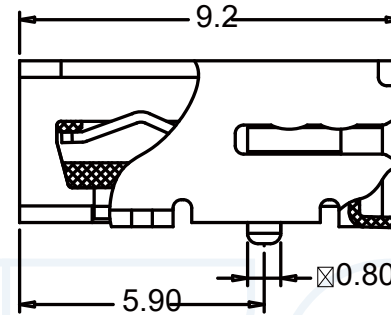
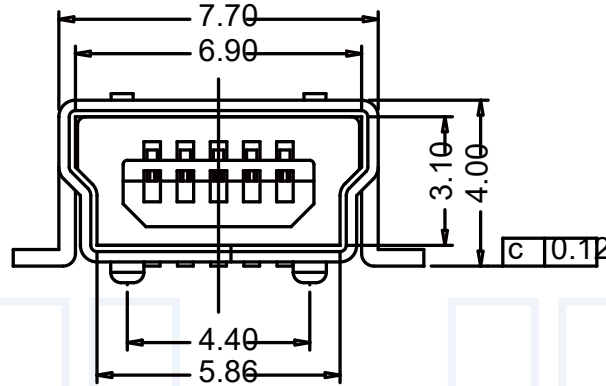
#### 2-特性 (characteristics):

额定电流: 1.0 AMP.  
Raring Current:1.0 AMP .  
接触阻抗: ≤30mΩ MAX.  
Contact Resistance:≤30mΩ MAX.  
绝缘阻抗: ≥100MΩMIN.  
Insulating Resistance:≥1-00MΩMIN.  
耐电压: 300V AC/MINUTE  
Withstanding Voltage:300V AC/MINUTE  
温度范围: -50度至+85度  
Temperture Range: -50°Cto +85°C

### ORDERING INFORMATION

#### U - 2 F M B 0 E X D

USB	INSULATOR MATERIAL	COLOUR
NO.OF PER ROW	A:PBT	B:BLACK
1=ONE ROW	B:PA6T	L:BLUE
2=DUAL ROW	CONTACTLE:LCP	PACKING
TERMINAL	SHAPE	A:PE Bag
M:MALE	S:STRAIGHT	B:TUBE
F:FEMALE	R:RIGHT ANGLE	C:TRAY
	H:VERTICAL SIDE	D:BOX
CONTACT PLATING		
FULL OF GOLD SEMI-GOLD		
A0=0.8u"	B0=0.8U"	
...	...	
A9=30u"	B9=30U"	



PCB LAYOUT

**YLIES** 东莞市瑞翔精密连接器有限公司  
DONG GUAN YLIES PRECISE CONNECTOR CO.,LTD

Tel:0769-85381995 / Fax:0769-85493987 / Email: ylies@ylies.cn / Web:www.ylies.cn

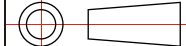
TITLE

513-MINI USB 母座贴片

DATE

2018-02-18

PROJECTON



REV

A

UNIT

mm

SCALE

1:1

PAGE

1/1

PART NO:

U-2FMB0EBD

DRAWING NO:

1

2

3

4

5

6

7

8

9