

ANGLE	± 5°	REV	LOCAS	DESCRIPTION	DESIGN	DATE	卫国峰
X.XXX	± 0.05	01			DRAWN	DATE	尚伟
X.XX	± 0.15	02			CHECKED	DATE	吴汉学
X.X	± 0.25	03			AUDITED	DATE	龚劲松
X	± 0.50	04			APPROVED	DATE	eric

Specifications/备注 (Remark)

1-材料 (MATERIAL)

胶芯: LCP UL94V-0
Housing:LCP UL94V-0
端子: 黄铜

Contact: Copper Alloy C2680
铁壳: Shell: SUS304

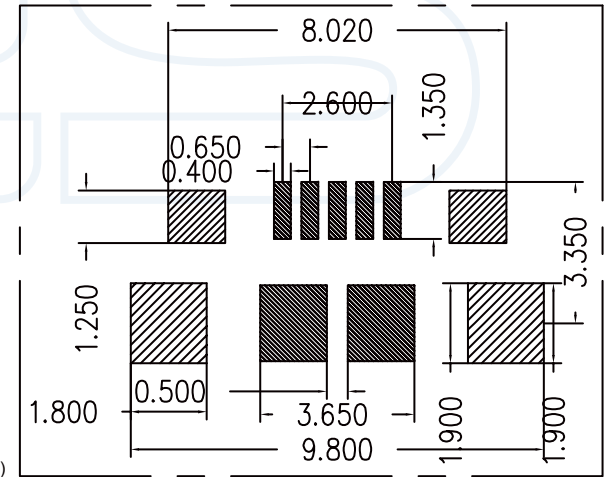
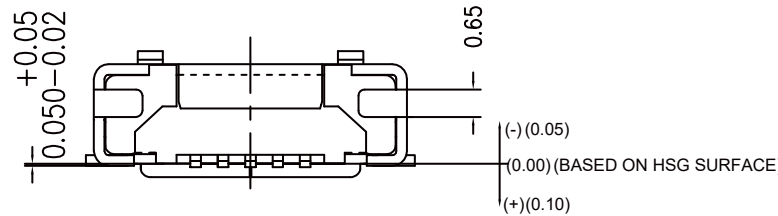
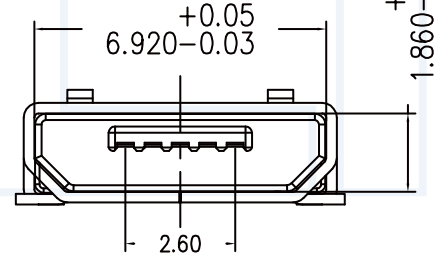
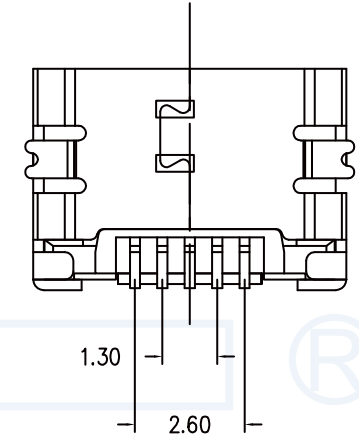
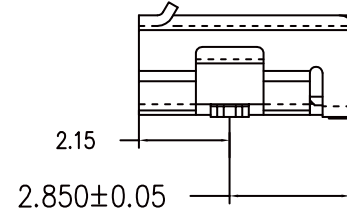
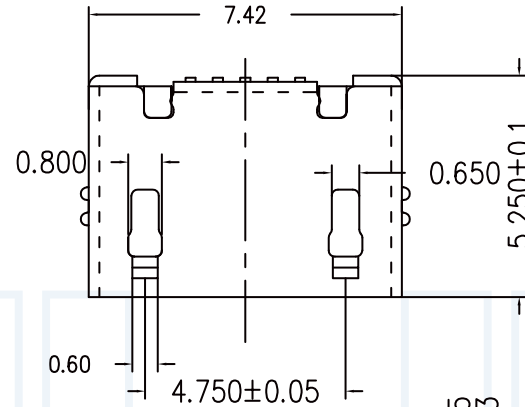
2-特性 (characteristics):

额定电流: 1.0 AMP.
Raring Current:1.0 AMP .
接触阻抗: ≤30mΩ MAX.
Contact Resistance:≤30mΩ MAX.
绝缘阻抗: ≥100MΩMIN.
Insulating Resistance:≥1-00MΩMIN.
耐电压: 300V AC/MINUTE
Withstanding Voltage:300V AC/MINUTE
温度范围: -30度至+80度
Temperture Range: -30°Cto +80°C

ORDERING INFORMATION

U - 2 F M B 0 E X D

NO.OF PER ROW 1=ONE ROW 2=DUAL ROW	CONTACT: LCP SHAPE S: STRAIGHT R: RIGHT ANGLE H: VERTICAL SIDE	INSULATOR MATERIAL A: PBT B: PA6T COLOUR B: BLACK L: BLUE	PACKING A: PE Bag B: TUBE C: TRAY D: BOX
TERMINAL M: MALE F: FEMALE	CONTACT PLATING FULL OF GOLD SEMI-GOLD A0=0.8u" B0=0.8u" ... A9=30u" B9=30u"		



PCB参考图

YLIES 东莞市瑞翔精密连接器有限公司
DONG GUAN YLIES PRECISE CONNECTOR CO.,LTD

Tel:0769-85381995 / Fax:0769-85493987 / Email: ylies@ylies.cn / Web:www.ylies.cn

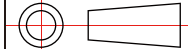
TITLE

511-MICRO USB 母座贴片带焊盘直边

DATE

2018-02-18

PROJECTON



REV

A

UNIT

mm

SCALE

1:1

PAGE

1/1

PART NO:

U-2FMB0EBB

DRAWING NO:

1

2

3

4

5

6

7

8

9