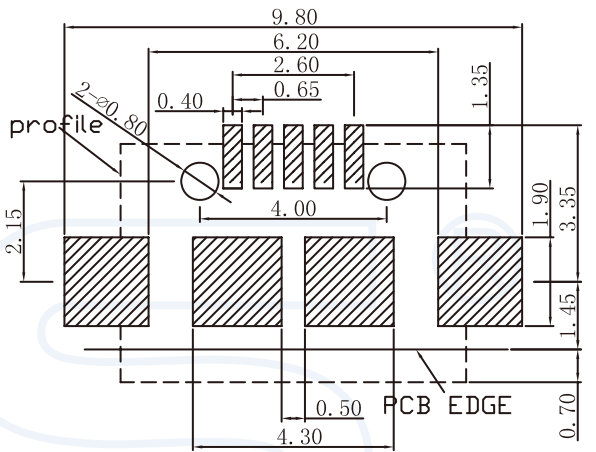
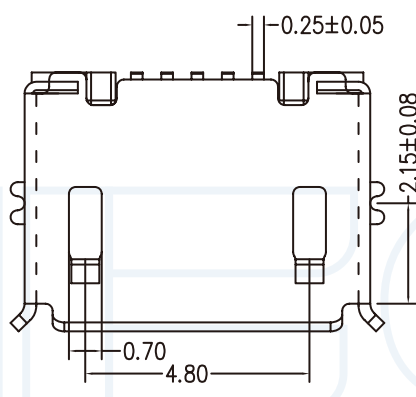
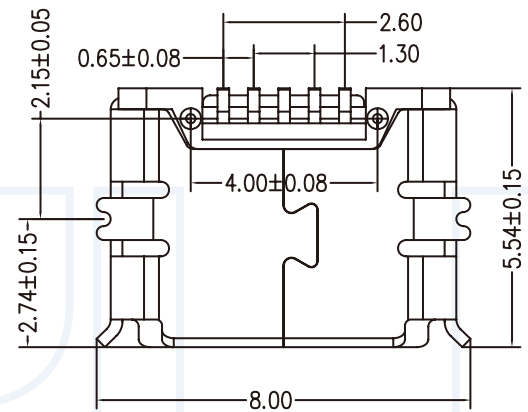


ANGLE	± 5°	REV	LOCAS	DESCRIPTION	DESIGN	DATE	卫国峰
X.XXX	± 0.05	01			DRAWN	DATE	尚伟
X.XX	± 0.15	02			CHECKED	DATE	吴汉学
X.X	± 0.25	03			AUDITED	DATE	龚劲松
X	± 0.50	04			APPROVED	DATE	eric

### Specifications/备注 (Remark)

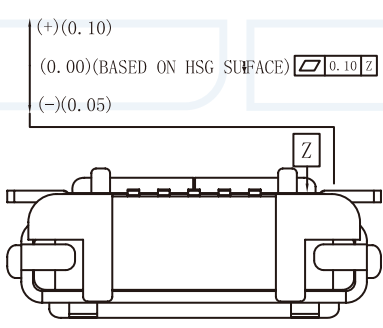
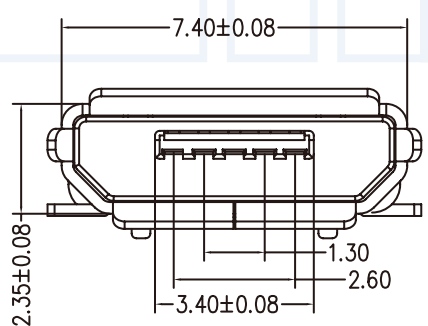
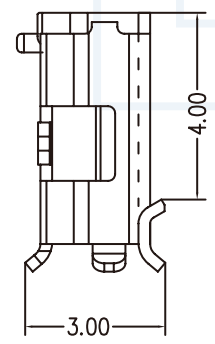
- 1-材料 (MATERIAL)  
 胶芯: LCP UL94V-0  
 Housing:LCP UL94V-0  
 端子: 黄铜  
 Contact: Copper Alloy C2680  
 铁壳: Shell: SUS304
- 2-特性 (characteristics):  
 额定电流: 1.0 AMP.  
 Raring Current:1.0 AMP .  
 接触阻抗: ≤30mΩ MAX.  
 Contact Resistance:≤30mΩ MAX.  
 绝缘阻抗: ≥100MΩMIN.  
 Insulating Resistance:≥1-00MΩMIN.  
 耐电压: 300V AC/MINUTE  
 Withstanding Voltage:300V AC/MINUTE  
 温度范围: -30度至+80度  
 Temperture Range: -30°Cto +80°C



### ORDERING INFORMATION

#### U - 2 F X B0 E X D

- USB  
 NO.OF PER ROW  
 1=ONE ROW  
 2=DUAL ROW
- TERMINAL  
 M:MALE  
 F:FEMALE
- CONTACT PLATING  
 FULL OF GOLD SEMI-GOLD  
 A0=0.8u" B0=0.8u"  
 A9=30u" B9=30u"
- INSULATOR MATERIAL  
 A:PBT  
 B:PA6T
- CONTACTLE:LCP  
 SHAPE  
 S:STRAIGHT  
 R:RIGHT ANGLE  
 H:VERTICAL SIDE
- COLOUR  
 B:BLACK  
 L:BLUE
- PACKING  
 A:PE Bag  
 B:TUBE  
 C:TRAY  
 D:BOX



Recommended P.C.B Layout (Top Side)  
 Tolerance=±0.05

table:

N.O	Shell Finish	Contact Finish	P/N:(plated)
1	Sn/Cu	1.5u"Au+120Tin	001-01-02068
2	Tin	1.5u"Au+120Tin	001-01-02069
3	Tin	1.5u"Au over all	001-01-03068
4	Tin	3u"Au over all	001-01-04068

**YLIES** 东莞市瑞翔精密连接器有限公司  
 DONG GUAN YLIES PRECISE CONNECTOR CO.,LTD

TITLE: 509-MICRO USB 母座贴片B-TYPE  
 DATE: 2018-02-18

Tel:0769-85381995 / Fax:0769-85493987 / Email: ylies@ylies.cn / Web:www.ylies.cn

PROJECTON REV A UNIT mm SCALE 1:1 PAGE 1/1

PART NO: U-2FXB0EBB DRAWING NO: