

ANGLE	± 5°	REV	LOCAS	DESCRIPTION	DESIGN	DATE	卫国峰
X.XXX	± 0.05	01			DRAWN	DATE	尚伟
X.XX	± 0.15	02			CHECKED	DATE	吴汉学
X.X	± 0.25	03			AUDITED	DATE	龚劲松
X	± 0.50	04			APPROVED	DATE	eric

Specifications/备注 (Remark)

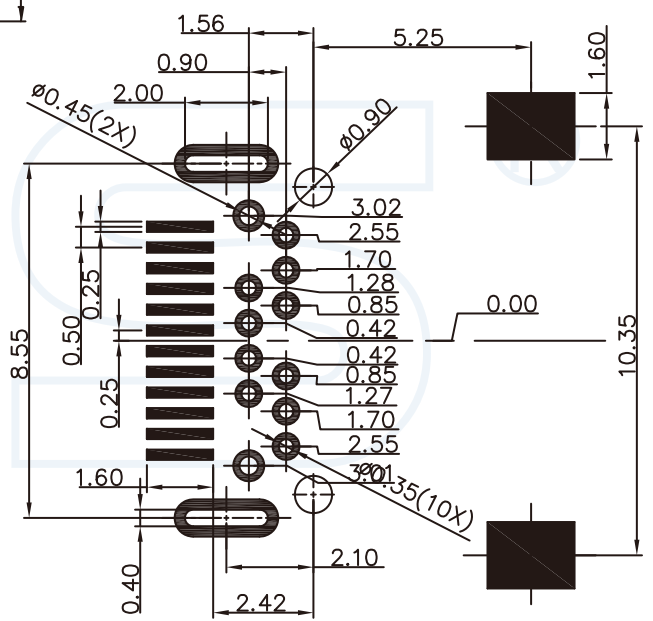
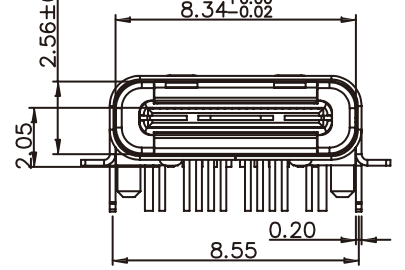
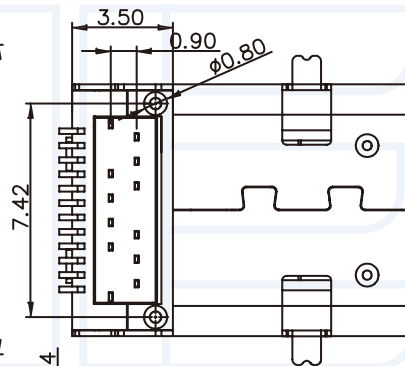
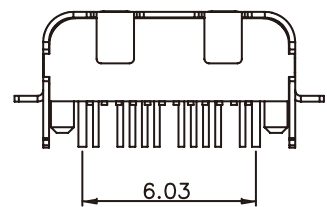
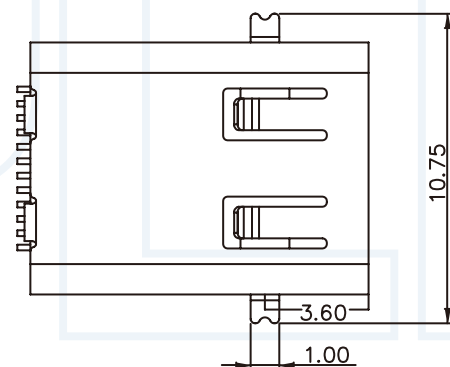
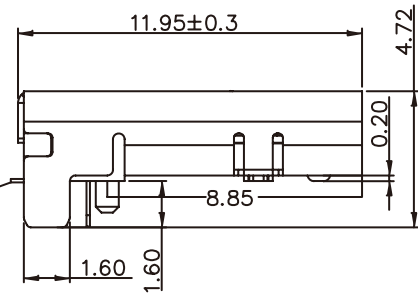
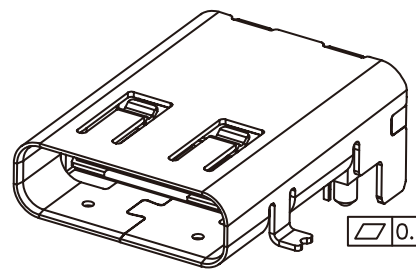
1-材料 (MATERIAL)
 胶芯: PBT UL94V-0
 Housing:PBT UL94V-0
 端子: 铜合金
 Contact: Copper Alloy
 铁壳: Shell: SPCC

2-特性 (characteristics):
 额定电流: 1.5 AMP.
 Raring Current:1.5 AMP .
 接触阻抗: ≤30mΩ MAX.
 Contact Resistance:≤30mΩ MAX.
 绝缘阻抗: ≥1000MΩMIN.
 Insulating Resistance:≥1000MΩMIN.
 耐电压: 500V AC/MINUTE
 Withstanding Voltage:500V AC/MINUTE
 温度范围: -55度至+85度
 Temperure Range: -55°Cto +85°C

ORDERING INFORMATION

U - 2 F X B 0 A X D

USB	NO.OF PER ROW	1=ONE ROW 2=DUAL ROW	TERMINAL	M:MALE F:FEMALE	CONTACT PLATING	FULL OF GOLD SEMI-GOLD A0=0.8u" B0=0.8u" A9=30u" B9=30u"
INSULATOR MATERIAL	A:PBT B:PA6T	CONTACTLE: LCP	SHAPE	S:STRAIGHT R:RIGHT ANGLE H:VERTICAL SIDE	COLOUR	B:BLACK L:BLUE
PACKING	A:PE Bag B:TUBE C:TRAY D:BOX					



RECOMMENDED P.C.B. LAYOUT (T:1.00mm)
 TOLERANCE UNSPECIFIED ±0.05mm

YLIES 东莞市瑞翔精密连接器有限公司
 DONG GUAN YLIES PRECISE CONNECTOR CO.,LTD

Tel:0769-85381995 / Fax:0769-85493987 / Email: ylies@ylies.cn / Web:www.ylies.cn

TITLE: 508-USB 3.1母座DIP+SMT C-TYPE DATE: 2018-02-18

PROJECTON REV: A UNIT: mm SCALE: 1:1 PAGE: 1/1

PART NO: U-2FXB0ABD DRAWING NO: