

ANGLE	± 5°	REV	LOCAS	DESCRIPTION	DESIGN	DATE	卫国峰
X.XXX	± 0.05	01			DRAWN	DATE	尚伟
X.XX	± 0.15	02			CHECKED	DATE	吴汉学
X.X	± 0.25	03			AUDITED	DATE	龚劲松
X	± 0.50	04			APPROVED	DATE	eric

Specifications/备注 (Remark)

1-材料 (MATERIAL)

胶芯: PBT UL94V-0
 Housing: PBT UL94V-0
 端子: 铜合金
 Contact: Copper Alloy
 铁壳: Shell: SPCC

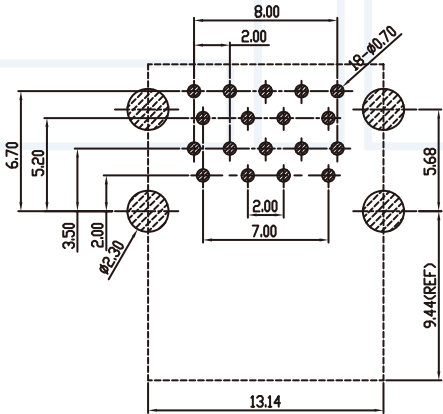
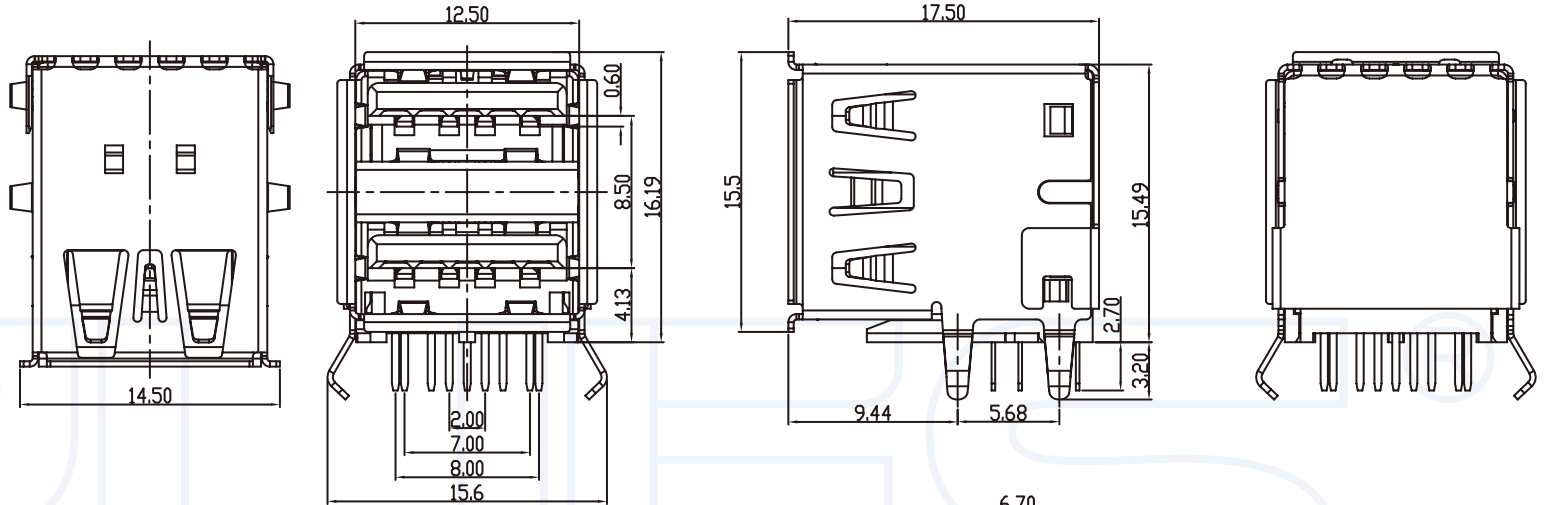
2-特性 (characteristics):

额定电流: 1.5 AMP.
 Raring Current: 1.5 AMP.
 接触阻抗: ≤30mΩ MAX.
 Contact Resistance: ≤30mΩ MAX.
 绝缘阻抗: ≥1000MΩMIN.
 Insulating Resistance: ≥1000MΩMIN.
 耐压: 500V AC/MINUTE
 Withstanding Voltage: 500V AC/MINUTE
 温度范围: -55度至+85度
 Temperture Range: -55°Cto +85°C

ORDERING INFORMATION

U - 2 F R B 0 A L D

USB	INSULATOR MATERIAL
NO.OF PER ROW	A:PBT
1=ONE ROW	B:PA6T
2=DUAL ROW	CONTACT: LCP
TERMINAL	SHAPE
M:MALE	S:STRAIGHT
F:FEMALE	R:RIGHT ANGLE
	H:VERTICAL SIDE
CONTACT PLATING	COLOUR
FULL OF GOLD SEMI-GOLD	B:BLACK
A0=0.8u"	L:BLUE
.....	PACKING
A9=30u"	A:PE Bag
B0=0.8U"	B:TUBE
.....	C:TRAY
B9=30U"	D:BOX



PCB LAYOUT REFERENCE

YLIES 东莞市瑞翔精密连接器有限公司
 DONG GUAN YLIES PRECISE CONNECTOR CO.,LTD

Tel:0769-85381995 / Fax:0769-85493987 / Email: ylies@ylies.cn / Web:www.ylies.cn

TITLE: 506-USB 3.0母座双层90度 DATE: 2018-02-18

PROJECTON: REV: A UNIT: mm SCALE: 1:1 PAGE: 1/1 PART NO: U-2FRB0ALD DRAWING NO: