

ANGLE	± 5°	REV	LOCAS	DESCRIPTION	DESIGN	DATE	卫国峰
X.XXX	± 0.05	01			DRAWN	DATE	尚伟
X.XX	± 0.15	02			CHECKED	DATE	吴汉学
X.X	± 0.25	03			AUDITED	DATE	龚劲松
X	± 0.50	04			APPROVED	DATE	eric

Specifications/备注 (Remark)

1-材料 (MATERIAL)

胶芯: LCP UL94V-0
Housing: LCP UL94V-0
端子: 黄铜

Contact: Copper Alloy C2680
铁壳: Shell: SUS304

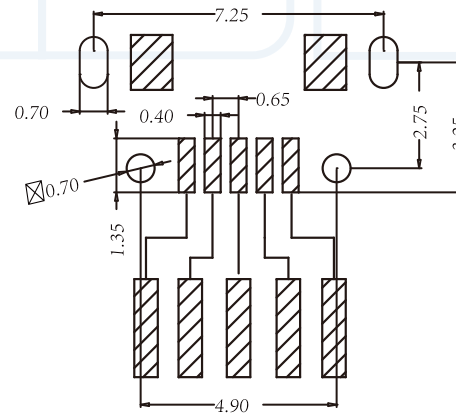
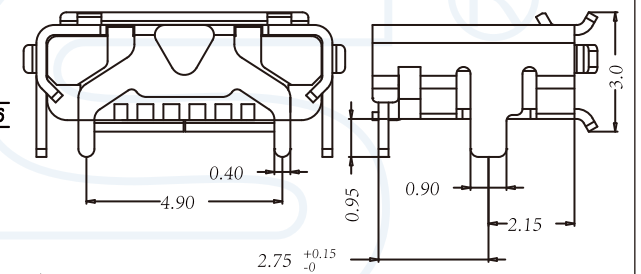
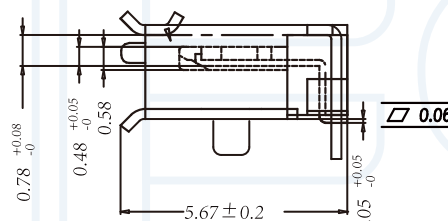
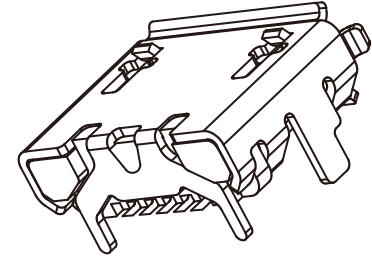
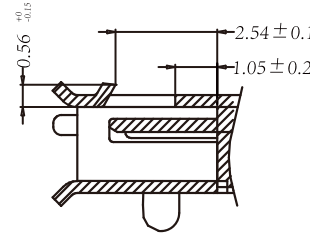
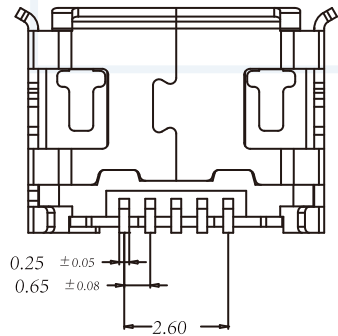
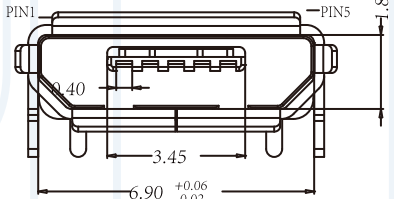
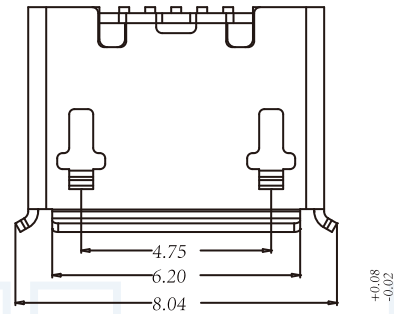
2-特性 (characteristics):

额定电流: 1.0 AMP.
Raring Current: 1.0 AMP.
接触阻抗: ≤30mΩ MAX.
Contact Resistance: ≤30mΩ MAX.
绝缘阻抗: ≥100MΩMIN.
Insulating Resistance: ≥1-00MΩMIN.
耐电压: 300V AC/MINUTE
Withstanding Voltage: 300V AC/MINUTE
温度范围: -30度至+80度
Temperature Range: -30°C to +80°C

ORDERING INFORMATION

U - 2 F M B0 E X D

USB	INSULATOR MATERIAL
NO.OF PER ROW	A:PBT
1=ONE ROW	B:PA6T
2=DUAL ROW	CONTACTLE:LCP
TERMINAL	SHAPE
M:MALE	S:STRAIGHT
F:FEMALE	R:RIGHT ANGLE
	H:VERTICAL SIDE
CONTACT PLATING	PACKING
FULL OF GOLD SEMI-GOLD	A:PE Bag
A0=0.8u"	B:TUBE
.....	C:TRAY
A9=30u"	D:BOX
B0=0.8U"	
B9=30U"	



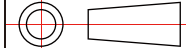
YLIES 东莞市瑞翔精密连接器有限公司
DONG GUAN YLIES PRECISE CONNECTOR CO.,LTD

Tel:0769-85381995 / Fax:0769-85493987 / Email: ylies@ylies.cn / Web:www.ylies.cn

TITLE 510-MICRO USB 母座四角180度 B-TYPE (牛角形)

DATE 2018-02-18

PROJECTON



REV A

UNIT mm

SCALE 1:1

PAGE 1/1

PART NO:

U-2FMB0EBB

DRAWING NO: