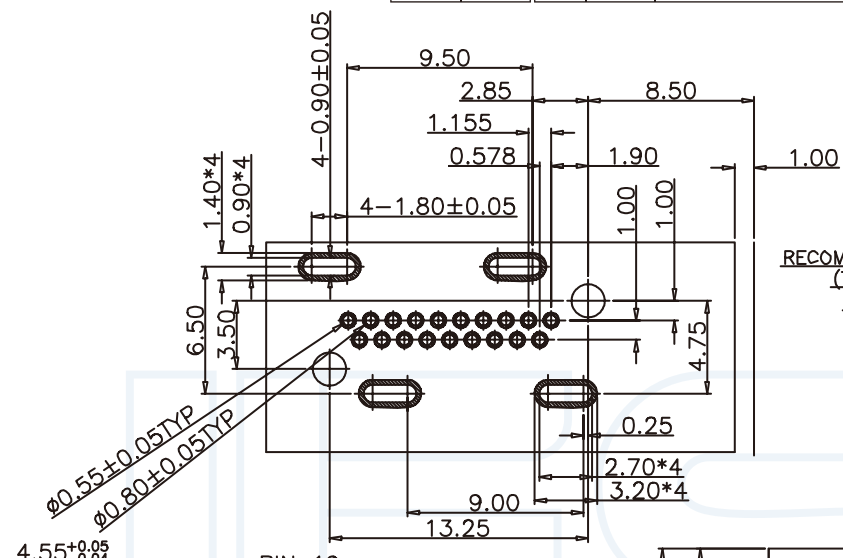
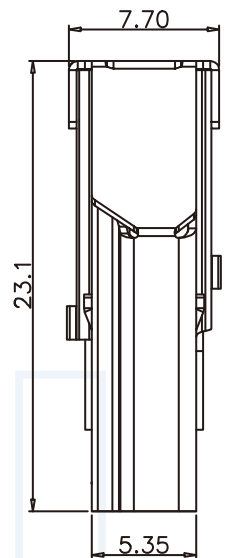


ANGLE	± 5°	REV	LOCAS	DESCRIPTION	DESIGN	DATE	卫国峰
X.XXX	± 0.05	01			DRAWN	DATE	尚伟
X.XX	± 0.15	02			CHECKED	DATE	吴汉学
X.X	± 0.25	03			AUDITED	DATE	龚劲松
X	± 0.50	04			APPROVED	DATE	eric

Specifications/备注 (Remark)

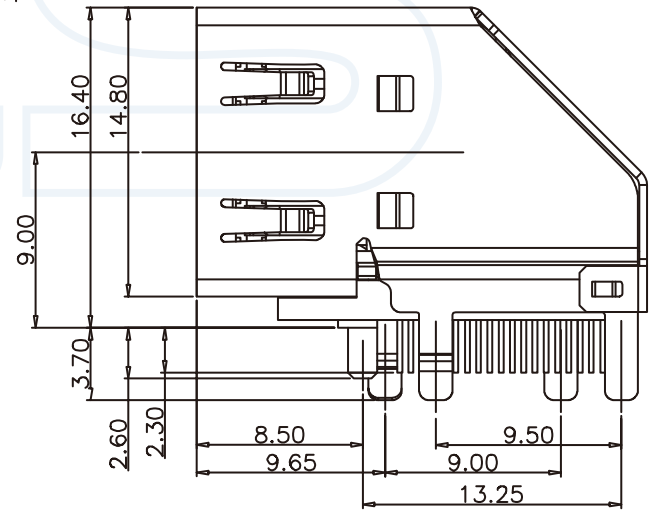
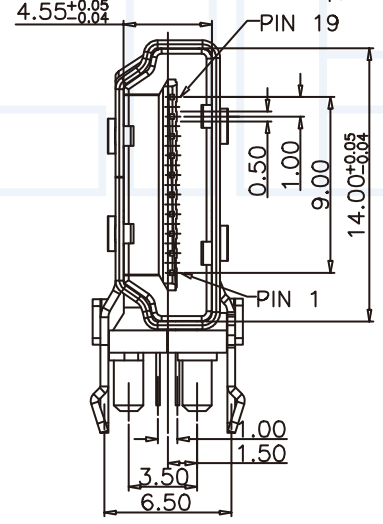
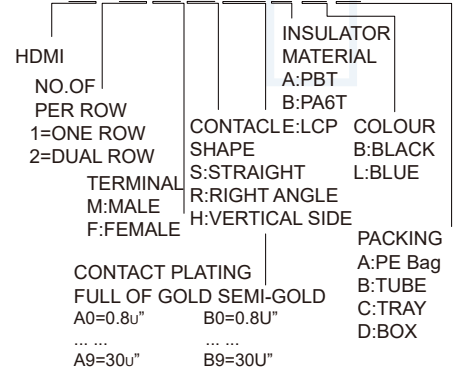
- 1-材料 (MATERIAL)
 胶芯: LCP UL94V-0
 Housing:LCP UL94V-0
 端子: 磷青铜
 Contact: Phosphor bronze
- 2-特性 (characteristics):
 额定电流: 0.5 AMP.
 Raring Current:0.5 AMP .
 接触阻抗: ≤30mΩ MAX.
 Contact Resistance:≤30mΩ MAX.
 绝缘阻抗: ≥100MΩMIN.
 Insulating Resistance:≥100MΩMIN.
 耐电压: 500V AC/MINUTE
 Withstanding Voltage:500V AC/MINUTE
 温度范围: -55度至+105度
 Temperature Range: -20°Cto +85°C



RECOMMENDED PCB LAYOUT(TOP VIEW)
 (THICKNESS=1.6±0.05mm)
 (TOLERANCE=±0.05mm)

ORDERING INFORMATION

HD - 2 F M B0 A X A



YLIES 东莞市瑞翔精密连接器有限公司
 DONG GUAN YLIES PRECISE CONNECTOR CO.,LTD

Tel:0769-85381995 / Fax:0769-85493987 / Email: ylies@ylies.cn / Web:www.ylies.cn

TITLE: 496-HDMI 母座 侧插式 DATE: 2018-02-18

PROJECTON REV: A UNIT: mm SCALE: 1:1 PAGE: 1/1

PART NO: HD-2FHB0EBD DRAWING NO: