

ANGLE	± 5°	REV	LOCAS	DESCRIPTION	DESIGN	DATE	卫国防
X.XXX	± 0.05	01			DRAWN	DATE	尚伟
X.XX	± 0.15	02			CHECKED	DATE	吴汉学
X.X	± 0.25	03			AUDITED	DATE	龚劲松
X	± 0.50	04			APPROVED	DATE	eric

Specifications/备注 (Remark)

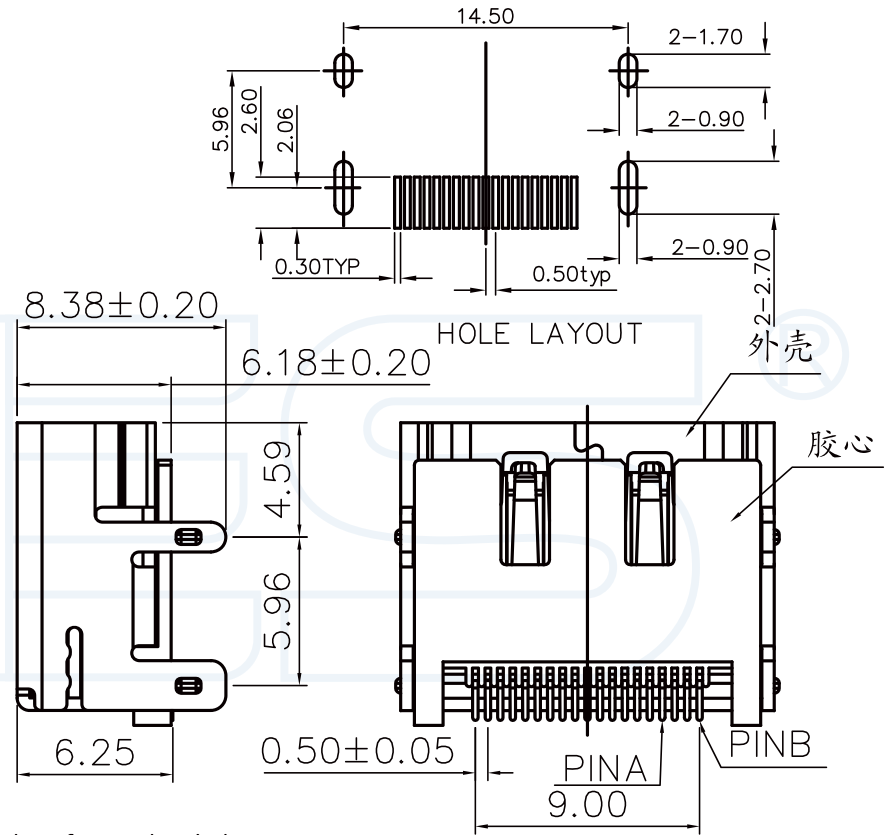
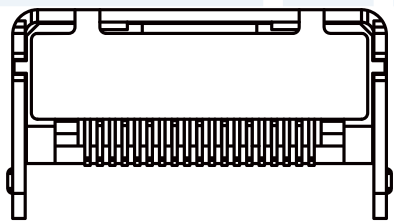
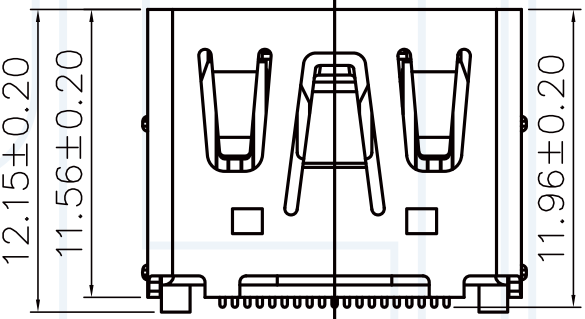
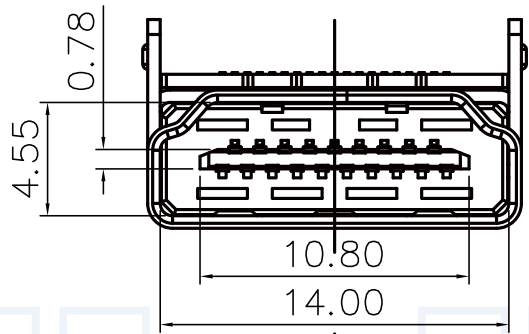
1-材料 (MATERIAL)
 胶芯: LCP UL94V-0
 Housing:LCP UL94V-0
 端子: 磷青铜
 Contact: Phosphor bronze

2-特性 (characteristics):
 额定电流: 0.5 AMP.
 Raring Current:0.5 AMP.
 接触阻抗: ≤30mΩ MAX.
 Contact Resistance:≤30mΩ MAX.
 绝缘阻抗: ≥100MΩMIN.
 Insulating Resistance:≥100MΩMIN.
 耐电压: 500V AC/MINUTE
 Withstanding Voltage:500V AC/MINUTE
 温度范围: -55度至+105度
 Temperture Range: -20°Cto +85°C

ORDERING INFORMATION

HD - 1 F M B0 A X A

HDMI	NO.OF PER ROW	1=ONE ROW 2=DUAL ROW	CONTACTS:LCP	INSULATOR MATERIAL	A:PBT B:PA6T	COLOUR	B:BLACK L:BLUE	PACKING	A:PE Bag B:TUBE C:TRAY D:BOX
	TERMINAL	M:MALE F:FEMALE	SHAPE	S:STRAIGHT R:RIGHT ANGLE M:SMT					
	CONTACT PLATING	FULL OF GOLD SEMI-GOLD	A0=0.8u" B0=0.8U" A9=30u" B9=30U"						



Build of material:

项次	名称	料号	材质	电镀或颜色	数量	备注
1	HDMI母座-PINA	HT003-1	黄铜(C2680 EH), T=0.20±0.01mm	SEE TABLE	9	
2	HDMI母座-PINB	HT003-2	黄铜(C2680 EH), T=0.20±0.01mm	SEE TABLE	10	
3	HDMI母座-胶心	HT003-3	LCP (E6006)+30%GF, UL 94 V-0	BLACK	1	
4	HDMI母座-外壳	HT003-4	BRASS (C2680 1/2H), T=0.50±0.03MM	镍	1	

YLIES 东莞市瑞翔精密连接器有限公司
 DONG GUAN YLIES PRECISE CONNECTOR CO.,LTD

Tel:0769-85381995 / Fax:0769-85493987 / Email: ylies@ylies.cn / Web:www.ylies.cn

TITLE: 493-HDMI 母座贴片四角DIP DATE: 2018-02-18

PROJECTON REV: A UNIT: mm SCALE: 1:1 PAGE: 1/1 PART NO: HD-1FMB0EBD DRAWING NO: