

ANGLE	± 5°	REV	LOCAS	DESCRIPTION	DESIGN	DATE	卫国峰
X.XXX	± 0.05	01			DRAWN	DATE	尚伟
X.XX	± 0.15	02			CHECKED	DATE	吴汉学
X.X	± 0.25	03			AUDITED	DATE	龚劲松
X	± 0.50	04			APPROVED	DATE	eric

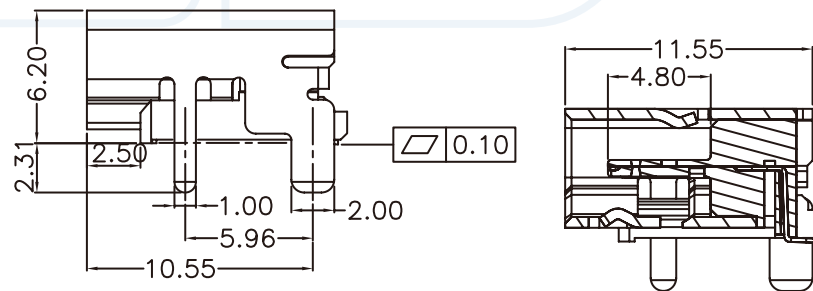
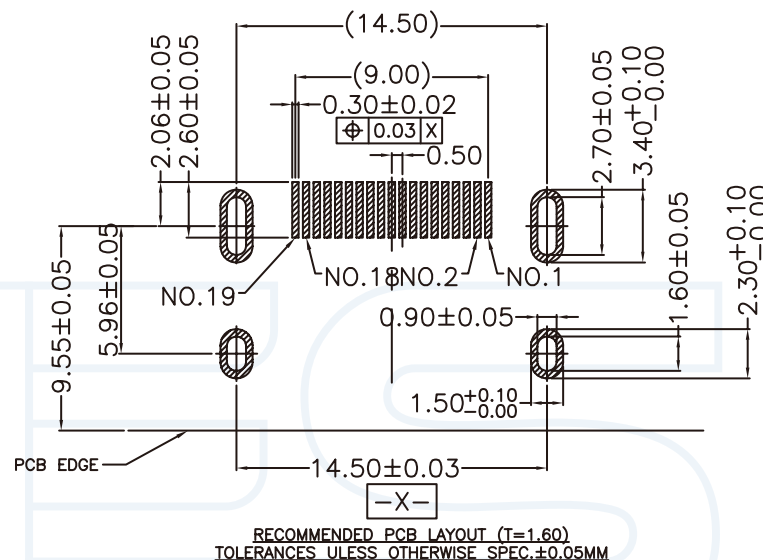
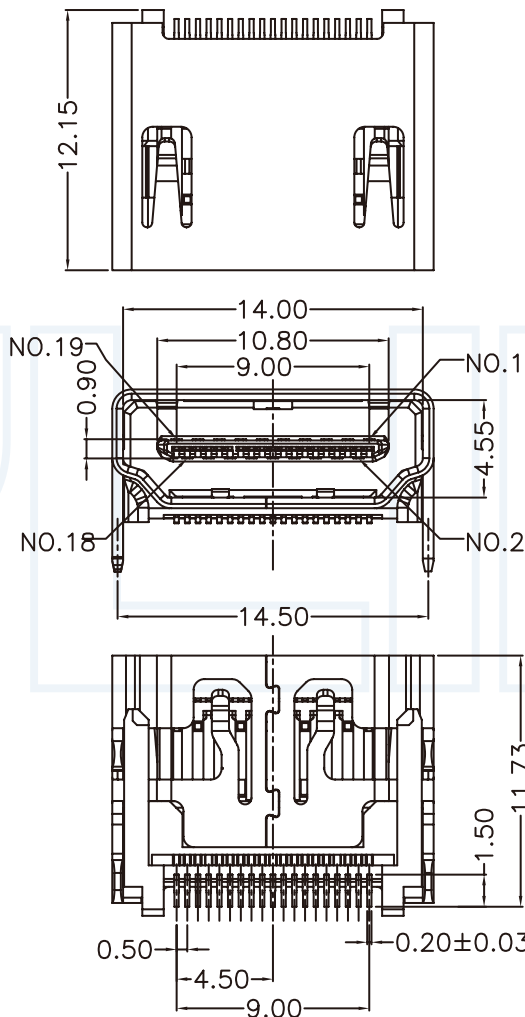
Specifications/备注 (Remark)

- 1-材料 (MATERIAL)
 胶芯: LCP UL94V-0
 Housing:LCP UL94V-0
 端子: 磷青铜
 Contact: Phosphor bronze
- 2-特性 (characteristics):
 额定电流: 0.5 AMP.
 Raring Current:0.5 AMP .
 接触阻抗: ≤30mΩ MAX.
 Contact Resistance:≤30mΩ MAX.
 绝缘阻抗: ≥100MΩMIN.
 Insulating Resistance:≥100MΩMIN.
 耐电压: 500V AC/MINUTE
 Withstanding Voltage:500V AC/MINUTE
 温度范围: -55度至+105度
 Temperature Range: -20°Cto +85°C

ORDERING INFORMATION

HD - 2 F M B0 A X A

HDMI	INSULATOR MATERIAL	
NO.OF PER ROW	A:PBT	
1=ONE ROW	B:PA6T	
2=DUAL ROW	CONTACTLE:LCP	COLOUR
TERMINAL	SHAPE	B:BLACK
M:MALE	S:STRAIGHT	L:BLUE
F:FEMALE	R:RIGHT ANGLE	
	M:SMT	
	PACKING	
	A:PE Bag	
	B:TUBE	
	C:TRAY	
	D:BOX	
CONTACT PLATING		
FULL OF GOLD SEMI-GOLD		
A0=0.8u" B0=0.8U"		
... ..		
A9=30u" B9=30U"		



YLIES 东莞市瑞翔精密连接器有限公司
 DONG GUAN YLIES PRECISE CONNECTOR CO.,LTD

Tel:0769-85381995 / Fax:0769-85493987 / Email: ylies@ylies.cn / Web:www.ylies.cn

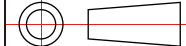
TITLE

492-HDMI 母座贴片四角DIP 无凸点

DATE

2018-02-18

PROJECTON



REV

A

UNIT

mm

SCALE

1:1

PAGE

1/1

PART NO:

HD-1FMB0EBD

DRAWING NO:

1

2

3

4

5

6

7

8

9