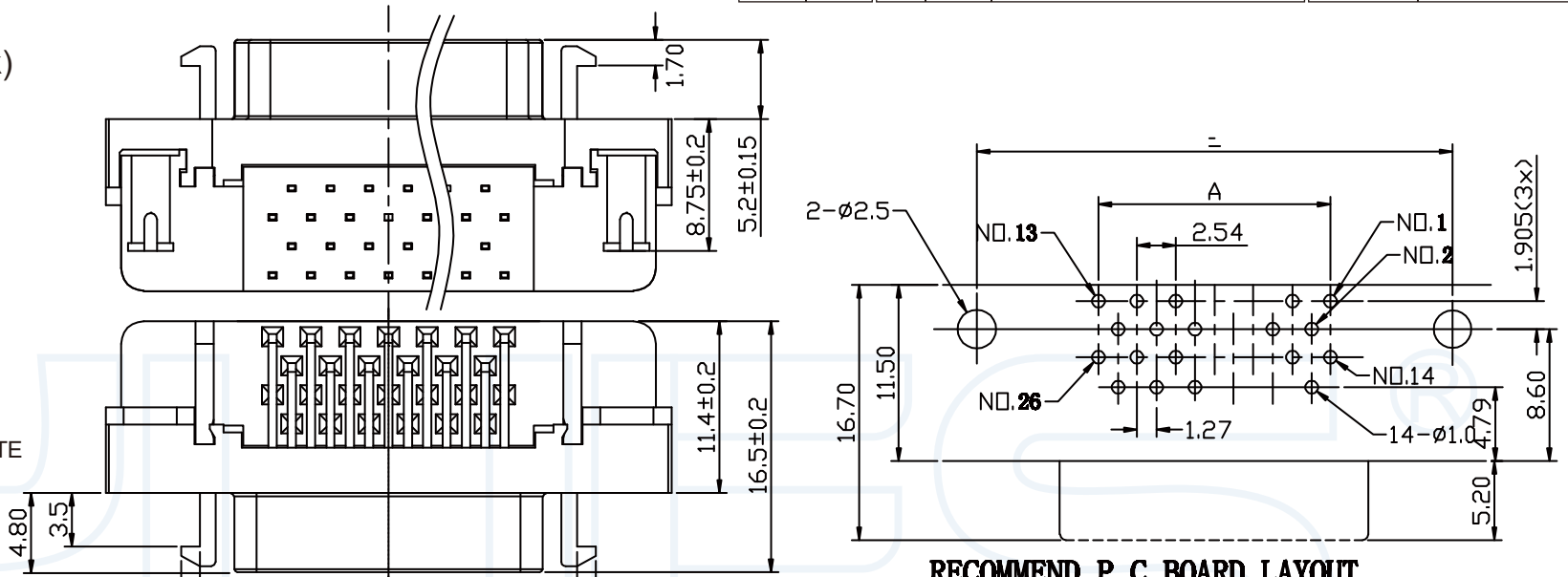


ANGLE	± 5°	REV	LOCAS	DESCRIPTION	DESIGN	DATE	卫国峰
X.XXX	± 0.05	01			DRAWN	DATE	尚伟
X.XX	± 0.15	02			CHECKED	DATE	吴汉学
X.X	± 0.25	03			AUDITED	DATE	龚劲松
X	± 0.50	04			APPROVED	DATE	eric

Specifications/备注 (Remark)

- 1-材料 (MATERIAL)
 胶芯: PBT UL94V-0
 Housing: PBT UL94V-0
 端子: 磷青铜
 Contact: Phosphor bronze
- 2-特性 (characteristics):
 额定电流: 5 AMP.
 Raring Current: 5 AMP.
 接触阻抗: ≤30mΩ MAX.
 Contact Resistance: ≤30mΩ MAX.
 绝缘阻抗: ≥1000MΩMIN.
 Insulating Resistance: ≥1000MΩMIN.
 耐电压: 1000V AC/MINUTE
 Withstanding Voltage: 1000V AC/MINUTE
 温度范围: -55度至+105度
 Temperature Range: -55°Cto +105°C

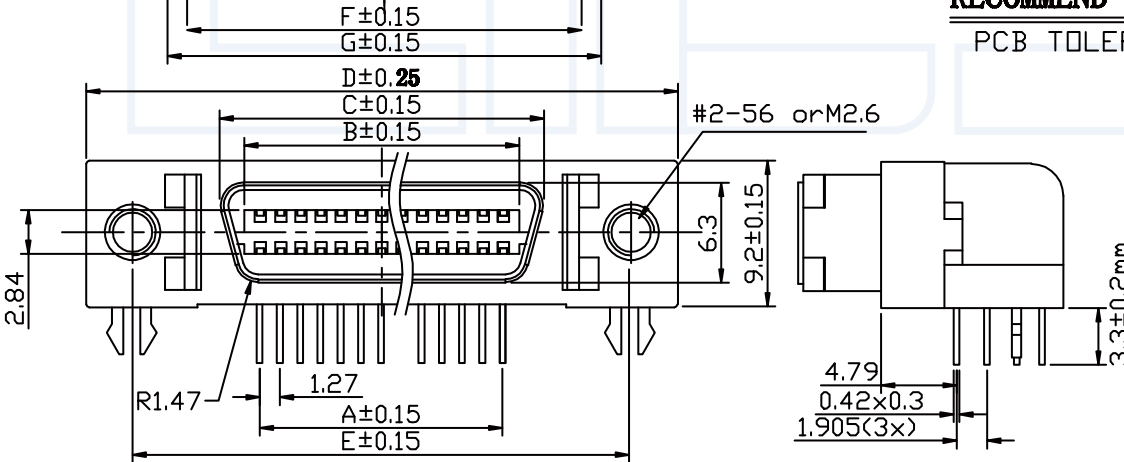


RECOMMEND P. C. BOARD LAYOUT
 PCB TOLERANCE: ±0.05 (TOP VIEW)

ORDERING INFORMATION

SC - 2 X X B0 X X B

SCSI	INSULATOR MATERIAL	
NO.OF PER ROW	A:PBT	
2=DUAL ROW	B:PA6T	
3=THREE ROW	CONTACTC:PA9T	
TERMINAL	SHAPE	COLOUR
M:MALE	S:STRAIGHT	B:BLACK
F:FEMALE	R:RIGHT ANGLE	L:BLUE
	D:WELDING LINE	
CONTACT PLATING	PACKING	
FULL OF GOLD SEMI-GOLD	A:PE Bag	
A0=0.8u"	B:TUBE	
B0=0.8u"	C:TRAY	
A9=30u"		
B9=30u"		



No. of Pin	DIMENSIONS						
	A	B	C	D	E	F	G
14	7.02	9.52	12.6	29.51	23.64	17.25	19.58
20	11.43	13.1	16.43	33.32	27.45	21.06	23.39
26	15.24	17.1	20.24	37.13	31.26	24.76	27.2
36	21.59	23.4	26.5	43.48	37.61	31.11	33.55
50	30.48	32.29	35.39	52.37	46.5	40.0	42.44

YLIES 东莞市瑞翔精密连接器有限公司
 DONG GUAN YLIES PRECISE CONNECTOR CO.,LTD

TITLE: 490-SCSI 母头90度
 DATE: 2018-02-18

Tel:0769-85381995 / Fax:0769-85493987 / Email: ylies@ylies.cn / Web:www.ylies.cn

PART NO: SC-2FRB0AXB
 DRAWING NO:

PROJECTON	REV	UNIT	SCALE	PAGE
	A	mm	1:1	1/1