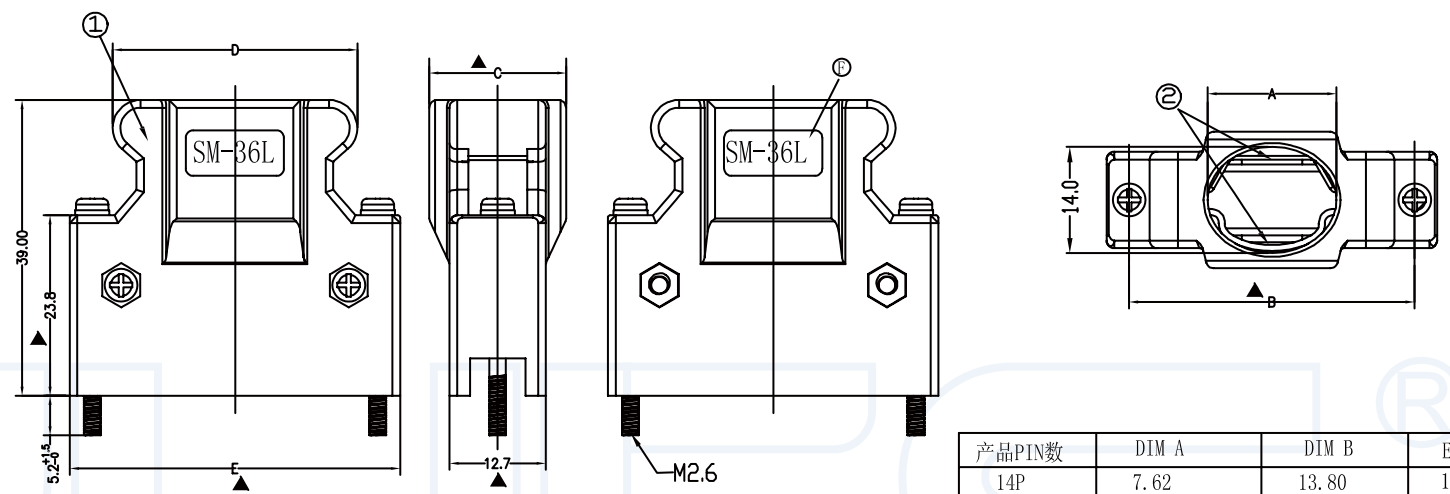


ANGLE	± 5°	REV	LOCAS	DESCRIPTION	DESIGN	DATE	卫国峰
X.XXX	± 0.05	01			DRAWN	DATE	尚伟
X.XX	± 0.15	02			CHECKED	DATE	吴汉学
X.X	± 0.25	03			AUDITED	DATE	龚劲松
X	± 0.50	04			APPROVED	DATE	eric

Specifications/备注 (Remark)

1-材料 (MATERIAL)
 胶芯: PBT UL94V-0
 Housing: PBT UL94V-0
 端子: 磷青铜
 Contact: Phosphor bronze

2-特性 (characteristics):
 额定电流: 5 AMP.
 Raring Current: 5 AMP.
 接触阻抗: ≤30mΩ MAX.
 Contact Resistance: ≤30mΩ MAX.
 绝缘阻抗: ≥1000MΩMIN.
 Insulating Resistance: ≥1000MΩMIN.
 耐电压: 1000V AC/MINUTE
 Withstanding Voltage: 1000V AC/MINUTE
 温度范围: -55度至+105度
 Temperature Range: -55°Cto +105°C



ORDERING INFORMATION

SC - 2 M D B 0 A X A

SCSI
 NO.OF PER ROW
 2=DUAL ROW
 3=THREE ROW

TERMINAL
 M: MALE
 F: FEMALE

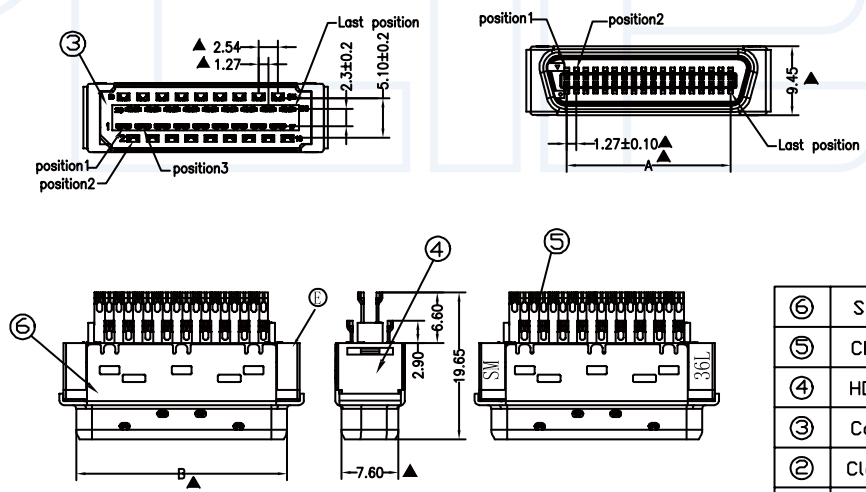
CONTACT PLATING
 FULL OF GOLD SEMI-GOLD
 A0=0.8u"
 B0=0.8u"

 A9=30u"
 B9=30u"

INSULATOR MATERIAL
 A: PBT
 B: PA6T

CONTACT: PA9T COLOUR
 SHAPE
 S: STRAIGHT
 R: RIGHT ANGLE
 D: WELDING LINE

PACKING
 A: PE Bag
 B: TUBE
 C: TRAY



产品PIN数	DIM A	DIM B	E处字体
14P	7.62	13.80	14L
20P	11.43	17.61	20L
26P	15.24	21.42	26L
36P	21.59	27.77	36L
50P	30.48	36.66	50L

外壳PIN数	DIM A	DIM B	DIM C	DIM D	DIM E	F处字体
14P	8.50	23.60	12.70	18.20	29.50	SM-14L
20P	12.00	27.40	14.00	22.05	33.35	SM-20L
26P	12.00	31.30	14.00	25.86	37.16	SM-26L
36P	17.00	37.61	18.00	32.21	43.51	SM-36L
50P	17.00	46.50	18.00	41.10	52.40	SM-50L

⑥	SHELL	1	SPCC	Gold PLATING Or Nickel
⑤	COVER	PINS	Copper Alloy	Gold PLATING Or Nickel
④	HOUSING	1	PBT	UL 94V-0
③	Cover	1	PBT	UL 94V-0
②	Clamp	2	Spcc	
①	Plastic shell	2	ABS	

TEM	PART NAME	Q'TY/EA	MATETIALS	NOTE
-----	-----------	---------	-----------	------

YLIES 东莞市瑞翔精密连接器有限公司
 DONG GUAN YLIES PRECISE CONNECTOR CO.,LTD

TITLE: 488-SCSI 公头焊线式
 DATE: 2018-02-18

Tel:0769-85381995 / Fax:0769-85493987 / Email: ylies@ylies.cn / Web:www.ylies.cn

PROJECTON	REV A	UNIT mm	SCALE 1:1	PAGE 1/1	PART NO: SC-2MDB0ABB	DRAWING NO:
-----------	-------	---------	-----------	----------	----------------------	-------------