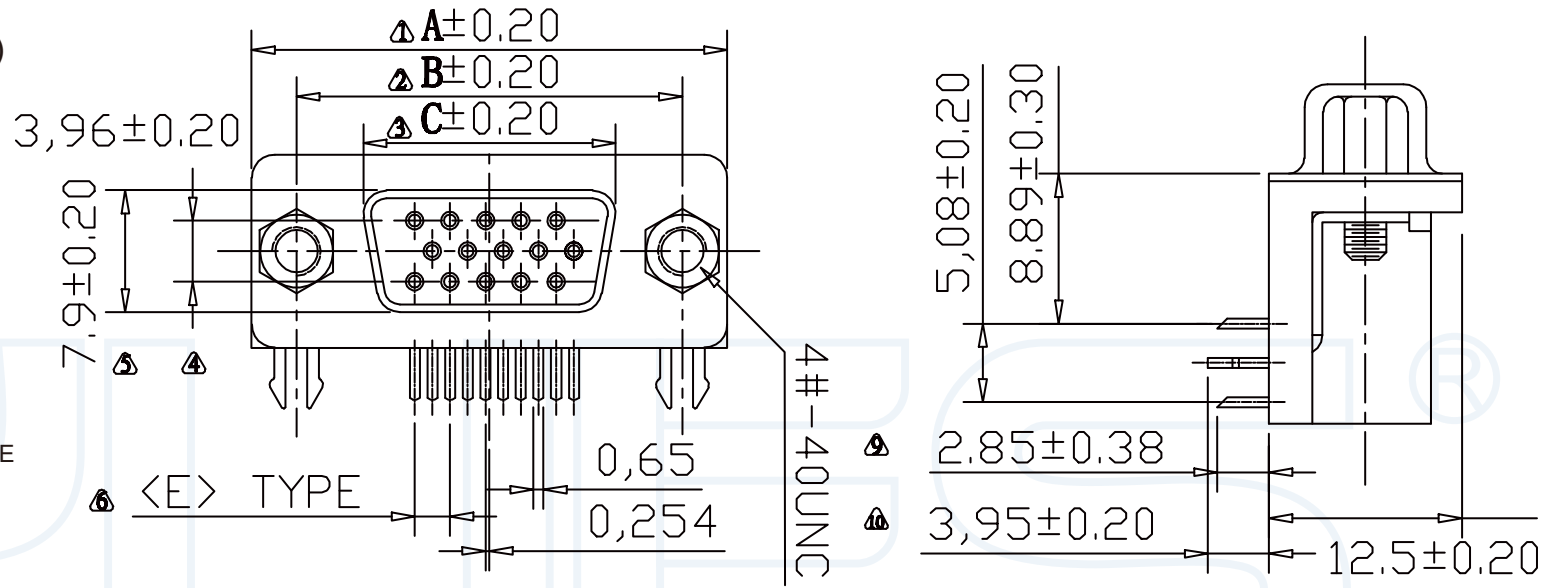


ANGLE	± 5°	REV	LOCAS	DESCRIPTION	DESIGN	DATE	卫国峰
X.XXX	± 0.05	01			DRAWN	DATE	尚伟
X.XX	± 0.15	02			CHECKED	DATE	吴汉学
X.X	± 0.25	03			AUDITED	DATE	龚劲松
X	± 0.50	04			APPROVED	DATE	eric

**Specifications/备注 (Remark)**

1-材料 (MATERIAL)  
 胶芯: PBT UL94V-0  
 Housing: PBT UL94V-0  
 端子: 磷青铜  
 Contact: Phosphor bronze

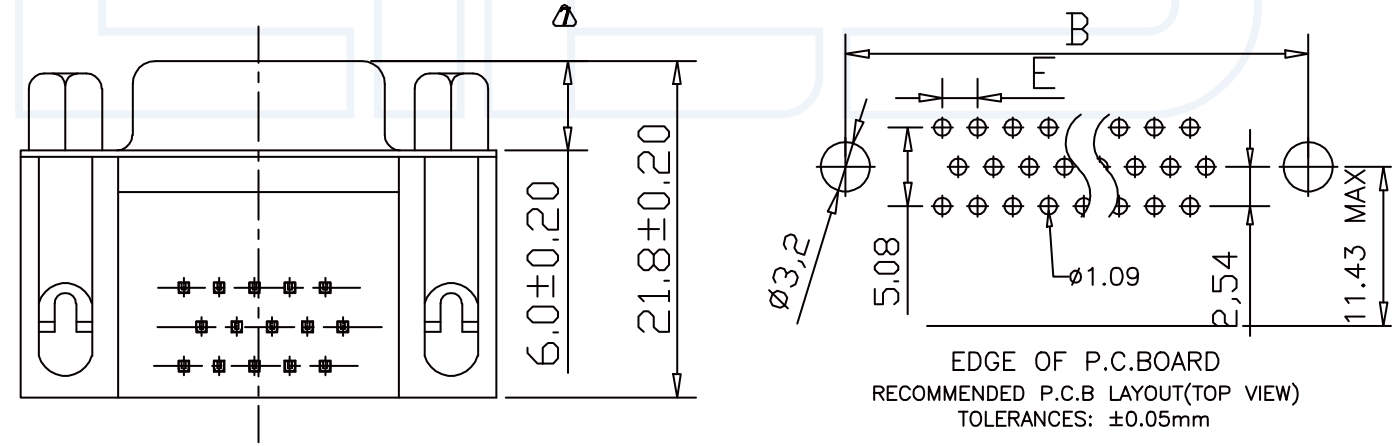
2-特性 (characteristics):  
 额定电流: 5 AMP.  
 Raring Current: 5 AMP.  
 接触阻抗: ≤30mΩ MAX.  
 Contact Resistance: ≤30mΩ MAX.  
 绝缘阻抗: ≥1000MΩMIN.  
 Insulating Resistance: ≥1000MΩMIN.  
 耐电压: 1000V AC/MINUTE  
 Withstanding Voltage: 1000V AC/MINUTE  
 温度范围: -55度至+105度  
 Temperature Range: -55°Cto +105°C



**ORDERING INFORMATION**

**DS - 3 F R B0 A X A**

D-SUB	INSULATOR MATERIAL
NO.OF PER ROW	A:PBT
2=DUAL ROW	B:PA6T
3=THREE ROW	CONTACT C:PA9T COLOUR
TERMINAL	SHAPE
M:MALE	S:STRAIGHT
F:FEMALE	R:RIGHT ANGLE
	D:WELDING LINE
CONTACT PLATING	PACKING
FULL OF GOLD	A:PE Bag
SEMI-GOLD	B:TUBE
	C:TRAY
A0=0.8u"	B0=0.8U"
.....	.....
A9=30u"	B9=30U"



**YLIES** 东莞市瑞翔精密连接器有限公司  
 DONG GUAN YLIES PRECISE CONNECTOR CO.,LTD

TITLE: 480-D-SUB 母头插座 双排90度插板式  
 DATE: 2018-02-18

Tel:0769-85381995 / Fax:0769-85493987 / Email: ylies@ylies.cn / Web:www.ylies.cn

PROJECTON	REV A	UNIT mm	SCALE 1:1	PAGE 1/1	PART NO: DS-3FRB0AXA	DRAWING NO:
-----------	-------	---------	-----------	----------	----------------------	-------------