

ANGLE	± 5°	REV	LOCAS	DESCRIPTION	DESIGN	DATE	卫国峰
X.XXX	± 0.05	01			DRAWN	DATE	尚伟
X.XX	± 0.15	02			CHECKED	DATE	吴汉学
X.X	± 0.25	03			AUDITED	DATE	龚劲松
X	± 0.50	04			APPROVED	DATE	eric

Specifications/备注 (Remark)

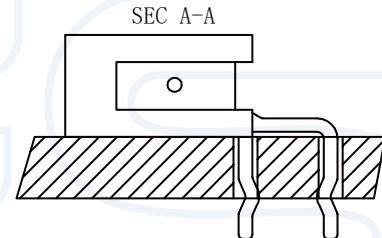
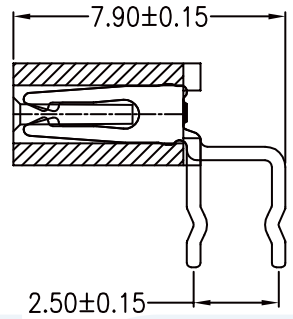
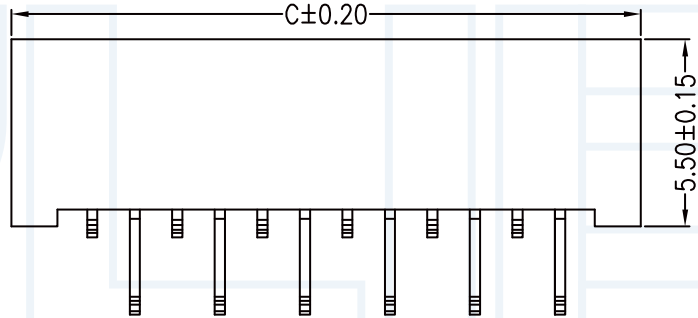
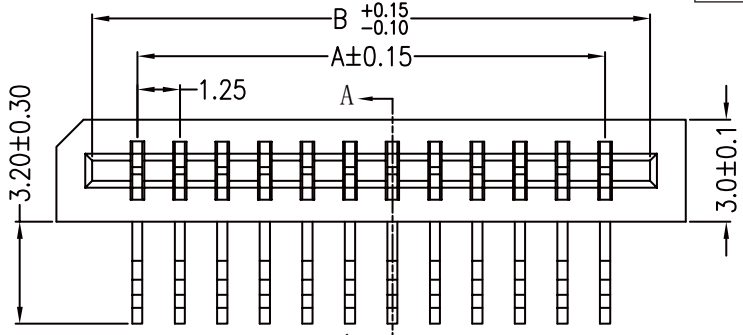
1-材料 (MATERIAL)
 胶芯: PA9T UL94V-0
 Housing: PA9T UL94V-0
 端子(焊片): 磷青铜
 Contact: Phosphor bronze

2-特性 (characteristics):
 额定电压: 50V AC/DC
 Voltage Rating: 50V AC/DC
 额定电流: 0.5 AMP
 Raring Current: 0.5AMP
 接触阻抗: ≤20mΩ MAX.
 Contact Resistance: ≤20mΩ MAX.
 绝缘阻抗: ≥800MΩMIN.
 Insulating Resistance: ≥800MΩMIN.
 耐电压: 500V AC/MINUTE
 Withstanding Voltage: 500V AC/MINUTE
 温度范围: -25度至+85度
 Temperture Range: -25°Cto +85°C

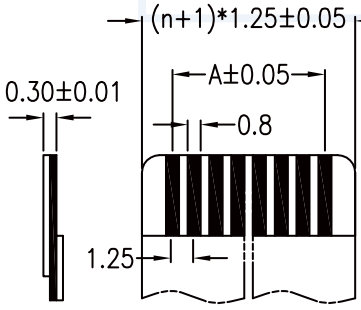
ORDERING INFORMATION

FPXX - XX XX X XX X

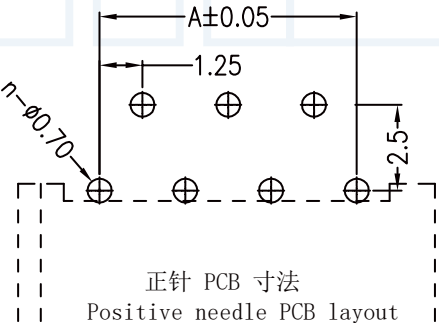
SERLES NO 125:1.25mm	INSULATOR MATERIAL A:PA46 B:PA66 C:PA9T D:LCP	CONTACTL SHAPE S:STRAIGHT R:Right Angle WT:Right Angle SMT
NO.OF PINS Per Row 04-40P	CONTACT PLATING FULL OF GOLD SEMI-GOLD S1=ORDINARY TIN PLATED S2=MATTE TIN PLATED S3=TIN-PLATED HIGH-TEMPERATURE	PACKING A:PE Bag B:TUBE C:TRAY



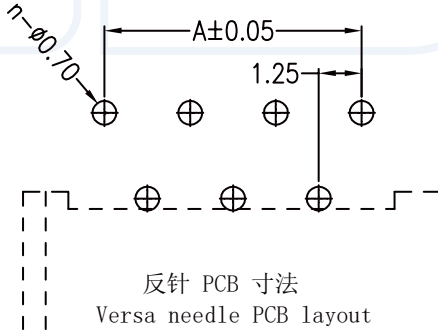
安装示意图
Assembly Layout



适用扁平电缆 (Proper cable)



正针 PCB 寸法
Positive needle PCB layout



反针 PCB 寸法
Versa needle PCB layout

尺寸 P数	DIM.A	DIM.B	DIM.C
4	3.75	6.40	8.50
5	5.00	7.65	9.75
6	6.25	8.90	11.00
7	7.50	10.15	12.25
8	8.75	11.40	13.50
9	10.00	12.65	14.75
10	11.25	13.90	16.00
11	12.50	15.15	17.25
12	13.75	16.40	18.50
13	15.00	17.65	19.75
14	16.25	18.90	21.00
15	17.50	20.15	22.25
16	18.75	21.40	23.50
17	20.00	22.65	24.75
18	21.25	23.90	26.00
19	22.50	25.15	27.25
20	23.75	26.40	28.50
21	25.00	27.65	29.75
22	26.25	28.90	31.00
23	27.50	30.15	32.25
24	28.75	31.40	33.50
25	30.00	32.65	34.75
26	31.25	33.90	36.00
27	32.50	35.15	37.25
28	33.75	36.40	38.50
29	35.00	37.65	39.75
30	36.25	38.90	41.00
31	37.50	40.15	42.25
32	38.75	41.40	43.50
33	40.00	42.65	44.75
34	41.25	43.90	46.00
35	42.50	45.15	47.25
36	43.75	46.40	48.50
37	45.00	47.65	49.75
38	46.25	48.90	51.00
39	47.50	50.15	52.25
40	48.75	51.40	53.50

YLIES 东莞市瑞翔精密连接器有限公司
 DONG GUAN YLIES PRECISE CONNECTOR CO.,LTD

TITLE 465-1.25mm FPC插座 90度错脚 L型双面接

DATE 2018-02-18

Tel:0769-85381995 / Fax:0769-85493987 / Email: ylies@ylies.cn / Web:www.ylies.cn

PROJECTON	REV A	UNIT mm	SCALE 1:1	PAGE 1/1
-----------	-------	---------	-----------	----------

PART NO:	FP10-XXS1CRB	DRAWING NO:	
----------	--------------	-------------	--