

ANGLE	± 5°	REV	LOCAS	DESCRIPTION	DESIGN	DATE	卫国峰
X.XXX	± 0.05	01			DRAWN	DATE	尚伟
X.XX	± 0.15	02			CHECKED	DATE	吴汉学
X.X	± 0.25	03			AUDITED	DATE	龚劲松
X	± 0.50	04			APPROVED	DATE	eric

**Specifications/备注 (Remark)**

**1-材料 (MATERIAL)**

胶芯: PA46 UL94V-0  
Housing: PA46 UL94V-0  
端子(焊片): 磷青铜  
Contact: Phosphor bronze

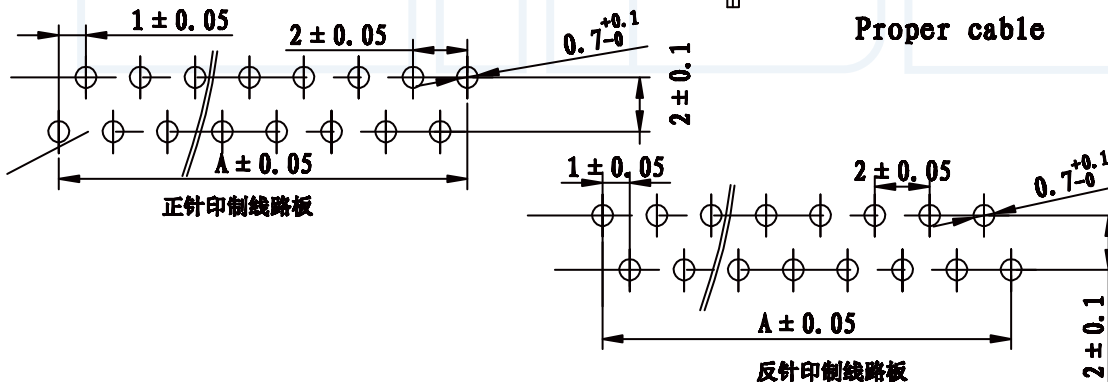
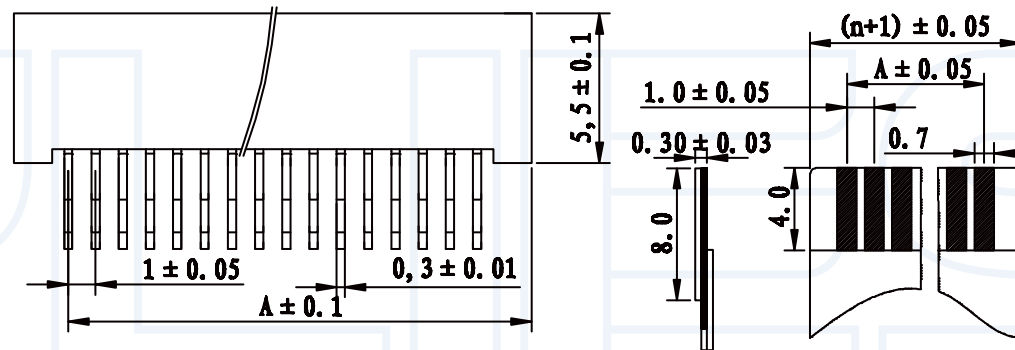
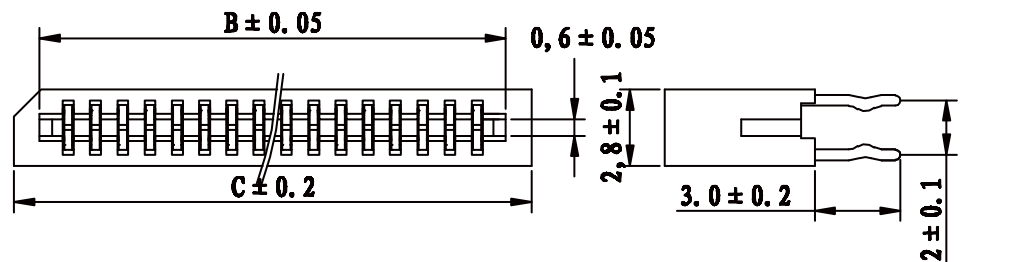
**2-特性 (characteristics):**

额定电压: 50V AC/DC .  
Voltage Rating: 50V AC/DC.  
额定电流: 0.5 AMP.  
Raring Current: 0.5AMP .  
接触阻抗: ≤20mΩ MAX.  
Contact Resistance: ≤20mΩ MAX.  
绝缘阻抗: ≥800MΩMIN.  
Insulating Resistance: ≥800MΩMIN.  
耐电压: 500V AC/MINUTE  
Withstanding Voltage: 500V AC/MINUTE  
温度范围: -25度至+85度  
Temperature Range: -25°Cto +85°C

**ORDERING INFORMATION**

**FPXX - XX XX X XX X**

SERLES NO 10:1.0mm	INSULATOR MATERIAL A:PA46 B:PA66 C:PA9T D:LCP	CONTACT SHAPE U:UPPER D:DOWN S:STRAIGHT
NO.OF PINS Per Row 04-30P	CONTACT PLATING FULL OF GOLD SEMI-GOLD S1=ORDINARY TIN PLATED S2=MATTE TIN PLATED S3=TIN-PLATED HIGH-TEMPERATURE	PACKING A:PE Bag B:TUBE C:TRAY



NO.of Contacts (n)	Dimensions		
	A	B	C
4	3.0	5.10	7.0
5	4.0	6.10	8.0
6	5.0	7.10	9.0
7	6.0	8.10	10.0
8	7.0	9.10	11.0
9	8.0	10.10	12.0
10	9.0	11.10	13.0
11	10.0	12.10	14.0
12	11.0	13.10	15.0
13	12.0	14.10	16.0
14	13.0	15.10	17.0
15	14.0	16.10	18.0
16	15.0	17.10	19.0
17	16.0	18.10	20.0
18	17.0	19.10	21.0
19	18.0	20.10	22.0
20	19.0	21.10	23.0
21	20.0	22.10	24.0
22	21.0	23.10	25.0
23	22.0	24.10	26.0
24	23.0	25.10	27.0
25	24.0	26.10	28.0
26	25.0	27.10	29.0
27	26.0	28.10	30.0
28	27.0	29.10	31.0
29	28.0	30.10	32.0
30	29.0	31.10	33.0

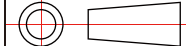
**YLIES** 东莞市瑞翔精密连接器有限公司  
DONG GUAN YLIES PRECISE CONNECTOR CO.,LTD

Tel:0769-85381995 / Fax:0769-85493987 / Email: ylies@ylies.cn / Web:www.ylies.cn

TITLE 460-1.0mm FPC插座 180度错脚位 L型双面接

DATE 2018-02-18

PROJECTON



REV A

UNIT mm

SCALE 1:1

PAGE 1/1

PART NO:

FP10-XXS1ASB

DRAWING NO: