

ANGLE	± 5°	REV	LOCAS	DESCRIPTION	DESIGN	DATE	卫国峰
X.XXX	± 0.05	01			DRAWN	DATE	尚伟
X.XX	± 0.15	02			CHECKED	DATE	吴汉学
X.X	± 0.25	03			AUDITED	DATE	龚劲松
X	± 0.50	04			APPROVED	DATE	eric

Specifications/备注 (Remark)

1-材料 (MATERIAL)

胶芯: LCP UL94V-0
Housing:LCP UL94V-0
端子(焊片): 磷青铜
Contact: Phosphor bronze

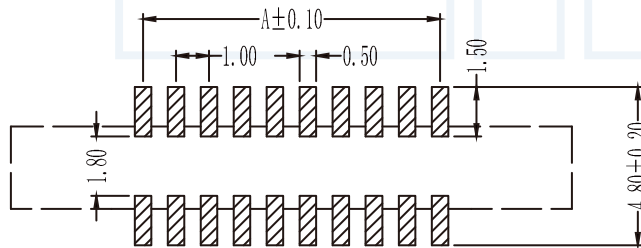
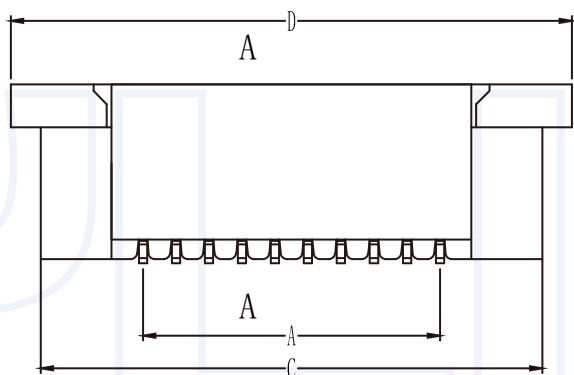
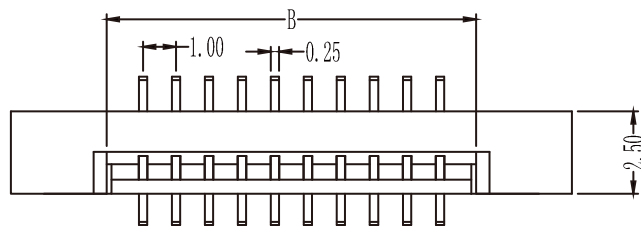
2-特性 (characteristics):

额定电压: 50V AC/DC .
Voltage Rating:50V AC/DC.
额定电流: 0.5 AMP.
Raring Current:0.5AMP .
接触阻抗: ≤20mΩ MAX.
Contact Resistance:≤20mΩ MAX.
绝缘阻抗: ≥800MΩMIN.
Insulating Resistance:≥800MΩMIN.
耐电压: 500V AC/MINUTE
Withstanding Voltage:500V AC/MINUTE
温度范围: -25度至+85度
Temperature Range: -25°Cto +85°C

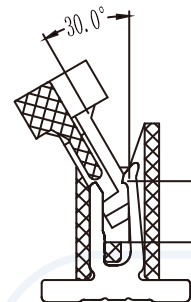
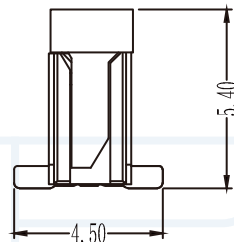
ORDERING INFORMATION

FPXX - XX XX X XX X

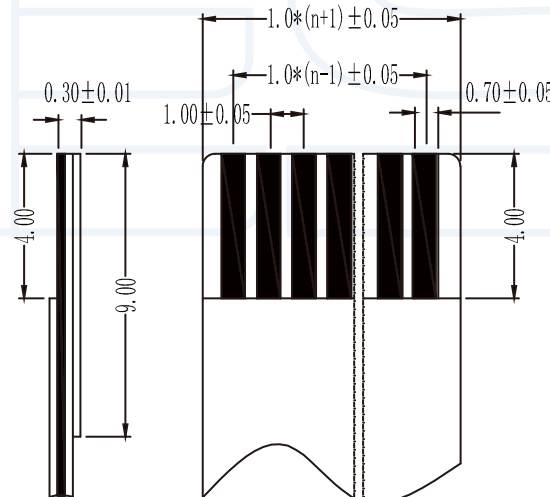
SERLES NO 10:1.0mm	INSULATOR MATERIAL A:PA46 B:PA66 C:PA9T D:LCP	CONTACTL SHAPE U:UPPER D:DOWN LT:Straight SMT
NO.OF PINS Per Row 04-30P	PACKING A:PE Bag B:TUBE C:TRAY	
CONTACT PLATING FULL OF GOLD SEMI-GOLD S1=ORDINARY TIN PLATED S2=MATTE TIN PLATED S3=TIN-PLATED HIGH-TEMPERATURE		



PCB Layout



A--A



适用扁平电缆

孔位	A	B	C	D
02	01	03.2	07.2	09
03	02	04.2	08.2	10
04	03	05.2	09.2	11
05	04	06.2	10.2	12
06	05	07.2	11.2	13
07	06	08.2	12.2	14
08	07	09.2	13.2	15
09	08	10.2	14.2	16
10	09	11.2	15.2	17
11	10	12.2	16.2	18
12	11	13.2	17.2	19
13	12	14.2	18.2	20
14	13	15.2	19.2	21
15	14	16.2	20.2	22
16	15	17.2	21.2	23
17	16	18.2	22.2	24
18	17	19.2	23.2	25
19	18	20.2	24.2	26
20	19	21.2	25.2	27
21	20	22.2	26.2	28
22	21	23.2	27.2	29
23	22	24.2	28.2	30
24	23	25.2	29.2	31
25	24	26.2	30.2	32
26	25	27.2	31.2	33
27	26	28.2	32.2	34
28	27	29.2	33.2	35
29	28	30.2	34.2	36
30	29	31.2	35.2	37

YLIES 东莞市瑞翔精密连接器有限公司
DONG GUAN YLIES PRECISE CONNECTOR CO.,LTD

Tel:0769-85381995 / Fax:0769-85493987 / Email: ylies@ylies.cn / Web:www.ylies.cn

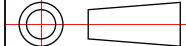
TITLE

454-1.0mm FPC插座 立贴一字脚

DATE

2018-02-18

PROJECTON



REV

A

UNIT

mm

SCALE

1:1

PAGE

1/1

PART NO:

FP10-XXS1DLTB

DRAWING NO:

1

2

3

4

5

6

7

8

9