

1 2 3 4 5 6 7 8 9

ANGLE	± 5°	REV	LOCAS	DESCRIPTION	DESIGN	DATE	卫国峰
X.XXX	± 0.05	01			DRAWN	DATE	尚伟
X.XX	± 0.15	02			CHECKED	DATE	吴汉学
X.X	± 0.25	03			AUDITED	DATE	龚劲松
X	± 0.50	04			APPROVED	DATE	eric

F5081GV	180° CAP
F5081GR	90° CAP
F5081T-04-18#	W=0.58 Wire:18#
F5081T-04-20#	W=0.54 Wire:20#-22#

Specifications/备注 (Remark)

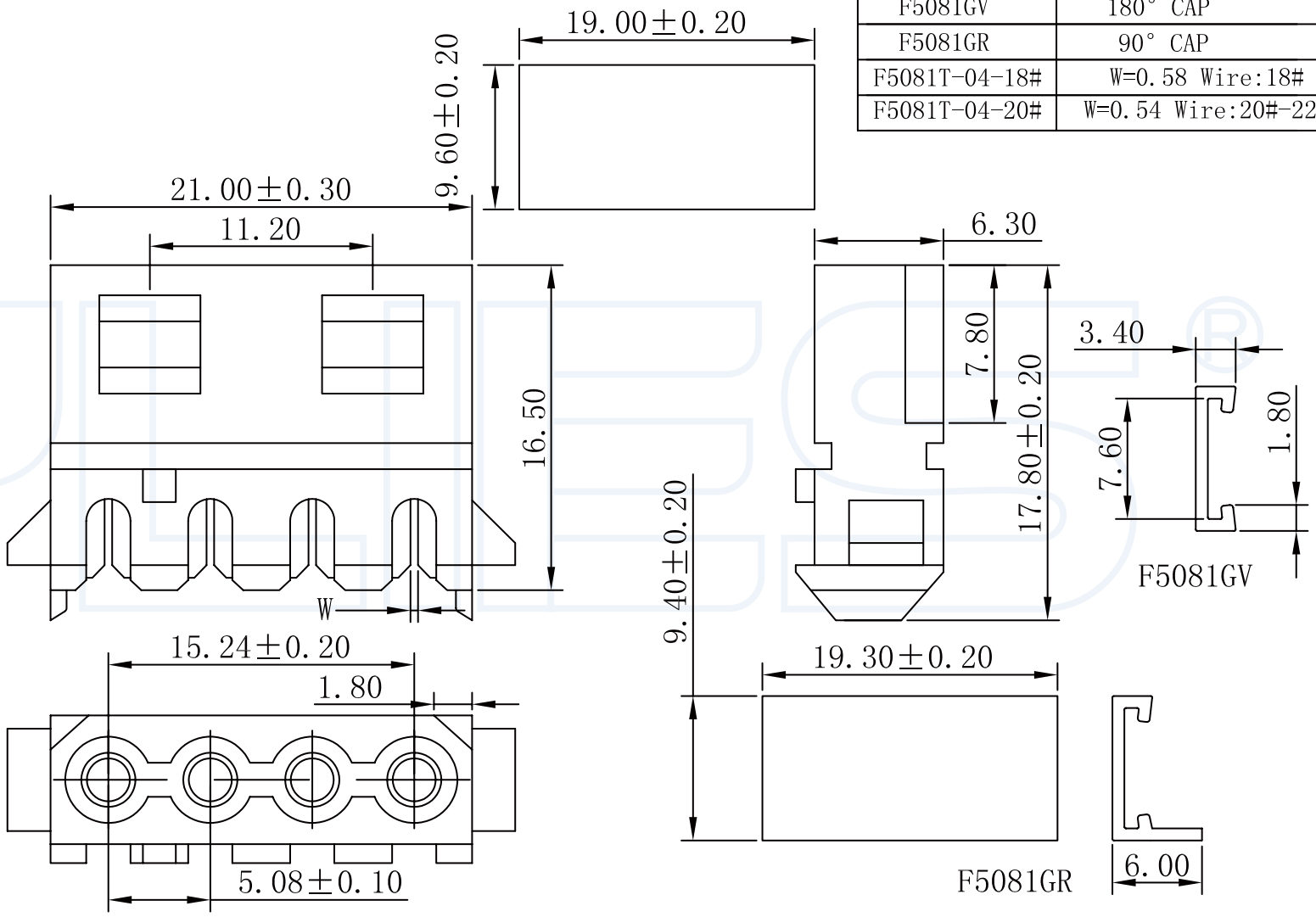
1-材料 (MATERIAL)
 胶芯: PA66 UL94V-2
 Housing:PA66 UL94V-2

2-特性 (characteristics):
 额定电压: 250V AC/DC .
 Voltage Rating:250V AC/DC .
 额定电流: 10 AMP(AWG #18-22) .
 Raring Current:10 AMP(AWG #18-22) .
 接触阻抗: ≤10mΩ MAX.
 Contact Resistance:≤10mΩ MAX.
 绝缘阻抗: ≥1000MΩMIN.
 Insulating Resistance:≥1000MΩMIN.
 耐电压: 1500V AC/MINUTE
 Withstanding Voltage:1500V AC/MINUTE
 温度范围: -25度至+85度
 Temperture Range: -25°Cto +85°C

ORDERING INFORMATION

H 508 --XX X X X

NO.OF PINS Per Row 04P	INSULATOR MATERIAL A:PA46 B:PA66 C:PA9T D:LCP	PACKING A:PE Bag B:TUBE C:TRAY
SERLES NO 508:5.08mm	TYPE F=FEMALE M=MALE P=PIERCE	



YLIES 东莞市瑞翔精密连接器有限公司
 DONG GUAN YLIES PRECISE CONNECTOR CO.,LTD

Tel:0769-85381995 / Fax:0769-85493987 / Email: ylies@ylies.cn / Web:www.ylies.cn

TITLE 437-5.08mm 大四P 刺破式胶壳(MX5.08)

DATE 2018-02-18

PROJECTON REV A UNIT mm SCALE 1:1 PAGE 1/1

PART NO: H508-04PBA

DRAWING NO:

1 2 3 4 5 6 7 8 9