

1 2 3 4 5 6 7 8 9

ANGLE	± 5°	REV	LOCAS	DESCRIPTION	DESIGN	DATE	卫国峰
X.XXX	± 0.05	01			DRAWN	DATE	尚伟
X.XX	± 0.15	02			CHECKED	DATE	吴汉学
X.X	± 0.25	03			AUDITED	DATE	龚劲松
X	± 0.50	04			APPROVED	DATE	eric

Specifications/备注 (Remark)

1-材料 (MATERIAL)

胶芯: PA66 UL94V-0
Housing: PA66 UL94V-0
端子: 黄铜

Contact: Brass

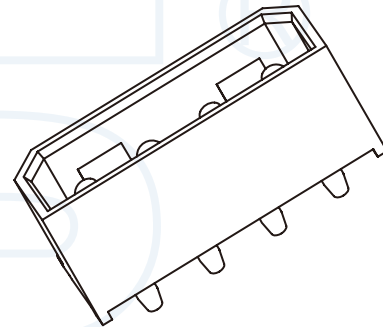
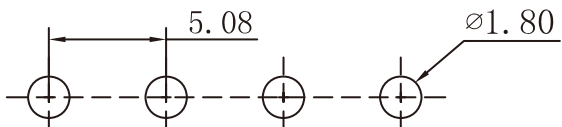
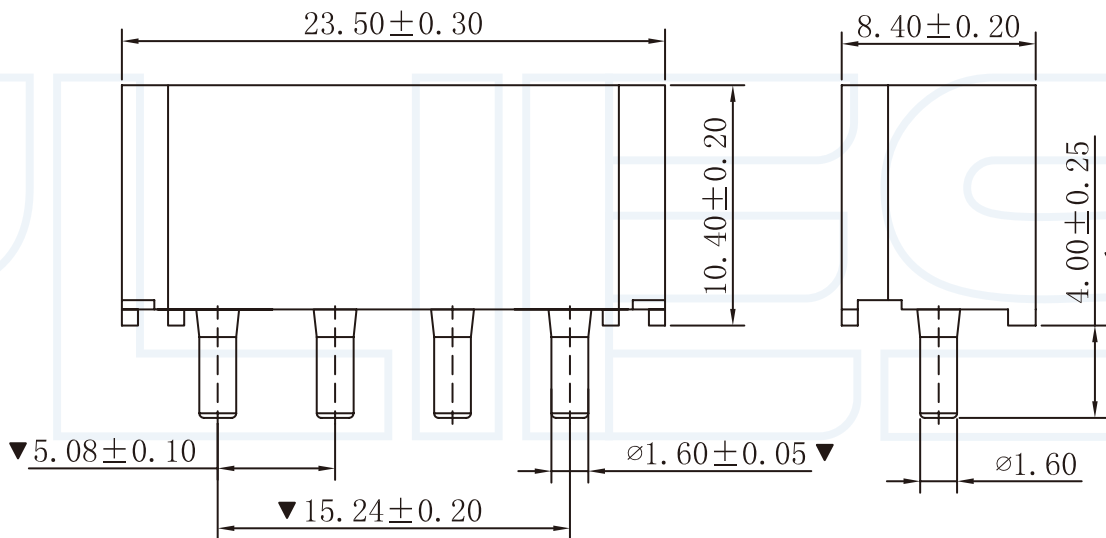
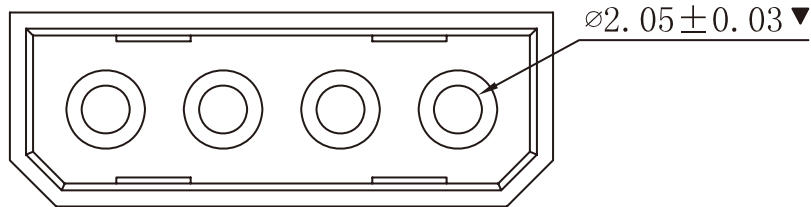
2-特性 (characteristics):

额定电压: 250V AC/DC .
Voltage Rating: 250V AC/DC .
额定电流: 5 AMP(AWG #18-20) .
Raring Current: 5 AMP(AWG #18-20) .
接触阻抗: ≤20mΩ MAX.
Contact Resistance: ≤20mΩ MAX.
绝缘阻抗: ≥1000MΩMIN.
Insulating Resistance: ≥1000MΩMIN.
耐电压: 1500V AC/MINUTE
Withstanding Voltage: 1500V AC/MINUTE
温度范围: -25度至+85度
Temperture Range: -25°Cto +85°C

ORDERING INFORMATION

W508-XX XX X XX X

NO. OF PINS Per Row 04P	INSULATOR MATERIAL A: PA46 B: PA66 C: PA9T D: LCP	PACKING A: PE Bag B: TUBE C: TRAY
SERLES NO 508: 5.08mm	CONTACT PLATING FULL OF GOLD SEMI-GOLD A0=0.8u" B0=0.8U" A9=30u" B9=30U" S1=ORDINARY TIN PLATED S2=MATTE TIN PLATED S3=TIN-PLATED HIGH-TEMPERATURE	CONTACT SHAPE S: Straight R: Right Angle LT: STRAIGHT SMT WT: RIGHT ANGLE SME



F

E

D

C

B

A

F

E

D

C

B

A

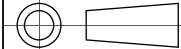
YLIES 东莞市瑞翔精密连接器有限公司
DONG GUAN YLIES PRECISE CONNECTOR CO.,LTD

Tel: 0769-85381995 / Fax: 0769-85493987 / Email: ylies@ylies.cn / Web: www.ylies.cn

TITLE 435-5.08mm 大四P插针 180度空心 (MX5.08)

DATE 2018-02-18

PROJECTON



REV A

UNIT mm

SCALE 1:1

PAGE 1/1

PART NO:

W508-XXS1BSA

DRAWING NO:

1 2 3 4 5 6 7 8 9