

1 2 3 4 5 6 7 8 9

| ANGLE | ± 5° | REV | LOCAS | DESCRIPTION | DESIGN | DATE | 卫国峰 |
|-------|--------|-----|-------|-------------|----------|------|------|
| X.XXX | ± 0.05 | 01 | | | DRAWN | DATE | 尚伟 |
| X.XX | ± 0.15 | 02 | | | CHECKED | DATE | 吴汉学 |
| X.X | ± 0.25 | 03 | | | AUDITED | DATE | 龚劲松 |
| X | ± 0.50 | 04 | | | APPROVED | DATE | eric |

Specifications/备注 (Remark)

1-材料 (MATERIAL)

胶芯: PA66 UL94V-0
 Housing: PA66 UL94V-0
 端子: 黄铜
 Contact: Brass

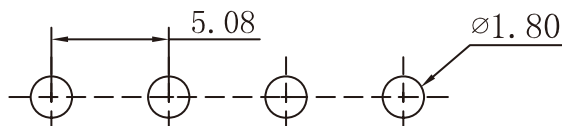
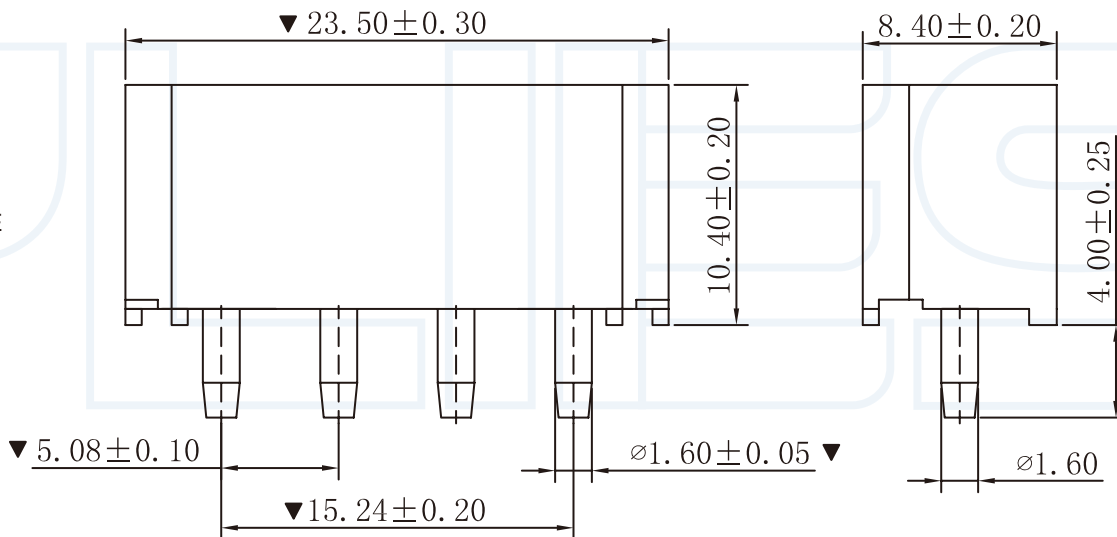
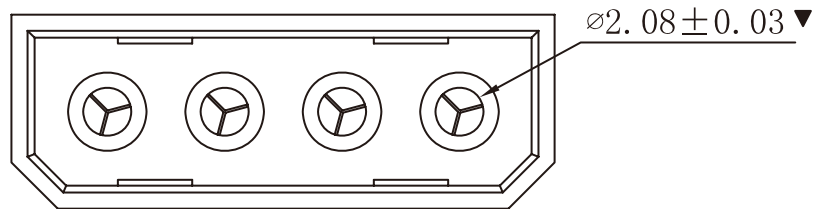
2-特性 (characteristics):

额定电压: 250V AC/DC .
 Voltage Rating: 250V AC/DC .
 额定电流: 5 AMP(AWG #18-20) .
 Raring Current: 5 AMP(AWG #18-20) .
 接触阻抗: ≤20mΩ MAX.
 Contact Resistance: ≤20mΩ MAX.
 绝缘阻抗: ≥1000MΩMIN.
 Insulating Resistance: ≥1000MΩMIN.
 耐电压: 1500V AC/MINUTE
 Withstanding Voltage: 1500V AC/MINUTE
 温度范围: -25度至+85度
 Temperature Range: -25°Cto +85°C

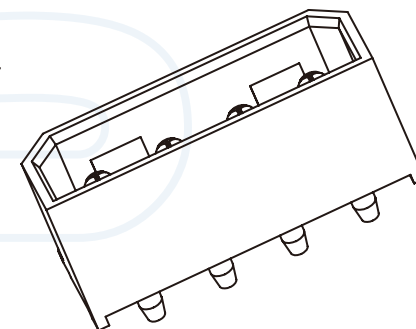
ORDERING INFORMATION

W508-XX XX X XX X

| | | |
|------------------------------|---|--|
| NO.OF PINS Per Row 04P | INSULATOR MATERIAL A:PA46 B:PA66 C:PA9T D:LCP | PACKING A:PE Bag B:TUBE C:TRAY |
| SERLES NO 508:5.08mm | CONTACT PLATING FULL OF GOLD SEMI-GOLD A0=0.8u" B0=0.8U" A9=30u" B9=30U" S1=ORDINARY TIN PLATED S2=MATTE TIN PLATED S3=TIN-PLATED HIGH-TEMPERATURE | CONTACTL SHAPE S: Straight R: Right Angle LT: STRAIGHT SMT WT: RIGHT ANGLE SME |



P. C. B LAYOUT



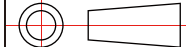
YLIES 东莞市瑞翔精密连接器有限公司
 DONG GUAN YLIES PRECISE CONNECTOR CO.,LTD

Tel:0769-85381995 / Fax:0769-85493987 / Email: ylies@ylies.cn / Web:www.ylies.cn

TITLE 434-5.08mm 大四P插针 180度 (MX5.08)

DATE 2018-02-18

PROJECTON



REV A

UNIT mm

SCALE 1:1

PAGE 1/1

PART NO: W508-XXS1BSA

DRAWING NO:

1 2 3 4 5 6 7 8 9