

ANGLE	± 5°	REV	LOCAS	DESCRIPTION	DESIGN	DATE	卫国峰
X.XXX	± 0.05	01			DRAWN	DATE	尚伟
X.XX	± 0.15	02			CHECKED	DATE	吴汉学
X.X	± 0.25	03			AUDITED	DATE	龚劲松
X	± 0.50	04			APPROVED	DATE	eric

Specifications/备注 (Remark)

- 1-材料 (MATERIAL)
 端子: 磷青铜
 Contact: Phosphor bronze
- 2-特性 (characteristics):
 额定电压: 250V AC/DC .
 Voltage Rating:250V AC/DC .
 额定电流: 7 AMP (AWG #20-24) .
 Raring Current:7 AMP (AWG #20-24) .-
 接触阻抗: ≤10mΩ MAX.
 Contact Resistance:≤10mΩ MAX .
 绝缘阻抗: ≥1000MΩMIN.
 Insulating Resistance:≥1000MΩMIN.
 耐电压: 1500V AC/MINUTE
 Withstanding Voltage:1500V AC/MINUTE
 温度范围: -25度至+85度
 Temperature Range: -25°Cto +85°C

ORDERING INFORMATION

T 42- XX XX

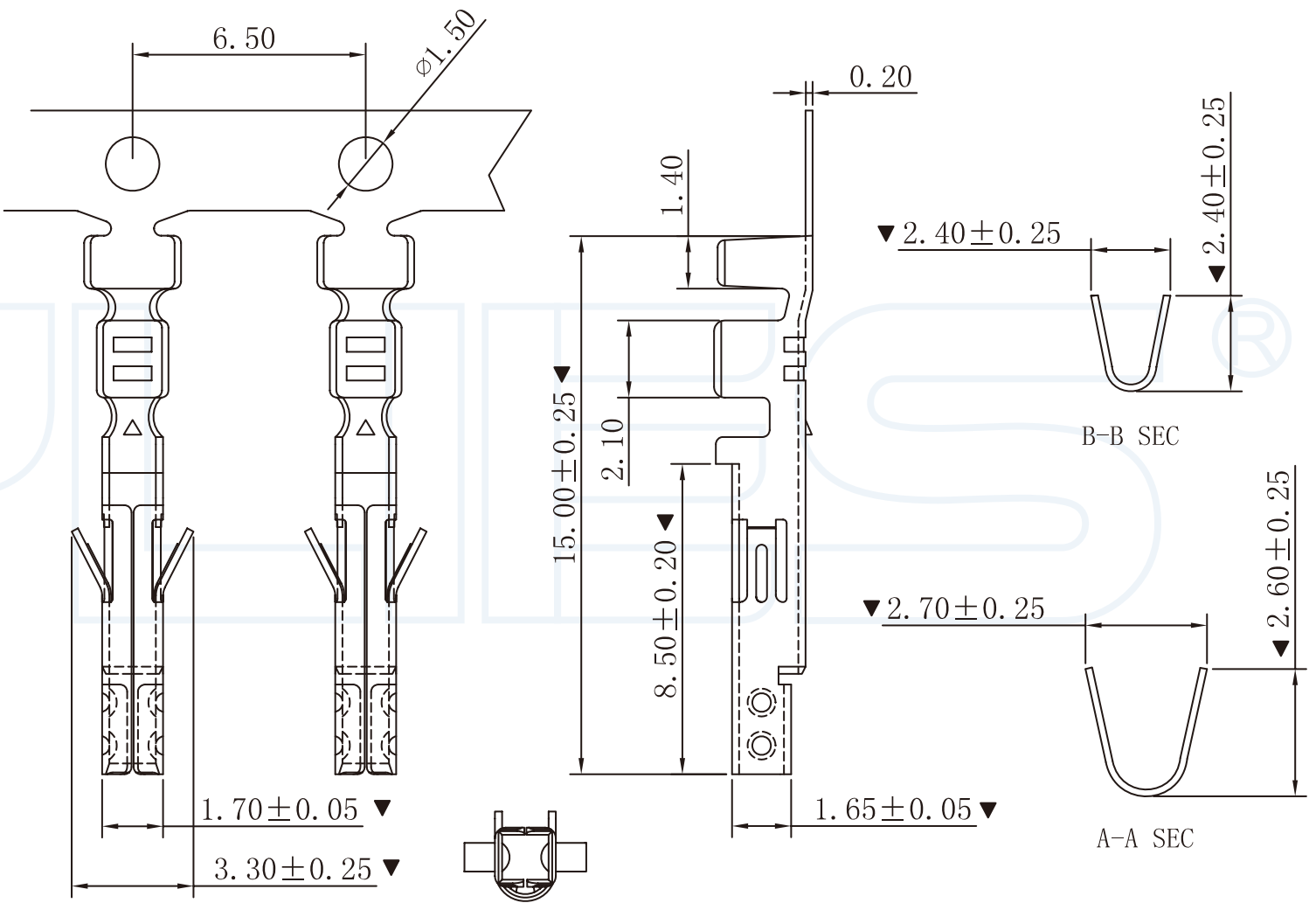
SERLES NO
42:4.2mm

PACKING QTY

CONTACT PLATING
 FULL OF GOLD SEMI-GOLD
 A0=0.8u" B0=0.8U"

 A9=30u" B9=30U"
 S1=ORDINARY TIN PLATED
 S2=MATTE TIN PLATED
 S3=TIN-PLATED HIGH-TEMPERATURE

TERMINAL
 M:MALE
 F:FEMALE



YLIES 东莞市瑞翔精密连接器有限公司
 DONG GUAN YLIES PRECISE CONNECTOR CO.,LTD

Tel:0769-85381995 / Fax:0769-85493987 / Email: ylies@ylies.cn / Web:www.ylies.cn

TITLE: 433-4.2mm 母端子 (MX4.2) DATE: 2018-02-18

PROJECTON: [Symbol] REV: A UNIT: mm SCALE: 1:1 PAGE: 1/1

PART NO: T42-S1F4.5 DRAWING NO: