

ANGLE	± 5°	REV	LOCAS	DESCRIPTION	DESIGN	DATE	卫国峰
X.XXX	± 0.05	01			DRAWN	DATE	尚伟
X.XX	± 0.15	02			CHECKED	DATE	吴汉学
X.X	± 0.25	03			AUDITED	DATE	龚劲松
X	± 0.50	04			APPROVED	DATE	eric

Specifications/备注 (Remark)

1-材料 (MATERIAL)

胶芯: PA66 UL94V-0
Housing: PA66 UL94V-0
端子: 黄铜
Contact: Brass

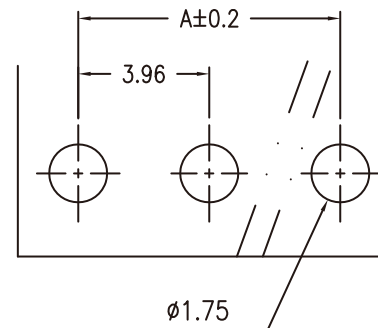
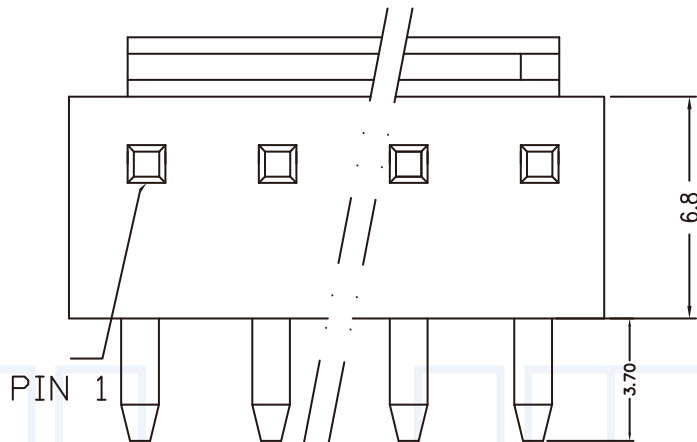
2-特性 (characteristics):

额定电压: 250V AC/DC .
Voltage Rating: 250V AC/DC .
额定电流: 10 AMP(AWG #16-22) .
Raring Current: 10 AMP(AWG #16-22) .
接触阻抗: ≤10mΩ MAX.
Contact Resistance: ≤10mΩ MAX.
绝缘阻抗: ≥1000MΩMIN.
Insulating Resistance: ≥1000MΩMIN.
耐电压: 1500V AC/MINUTE
Withstanding Voltage: 1500V AC/MINUTE
温度范围: -25度至+85度
Temperture Range: -25°Cto +85°C

ORDERING INFORMATION

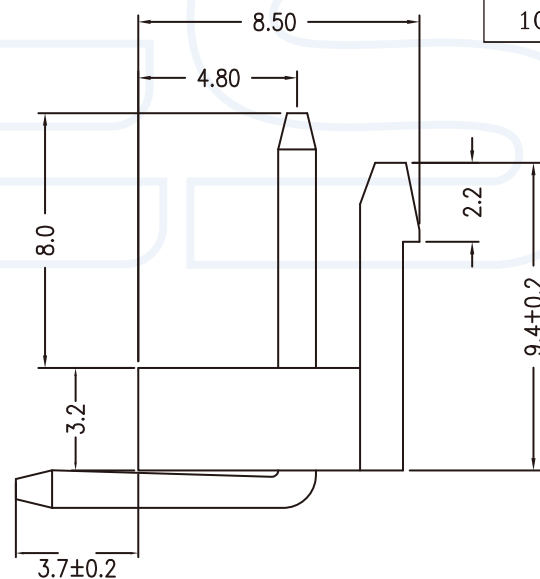
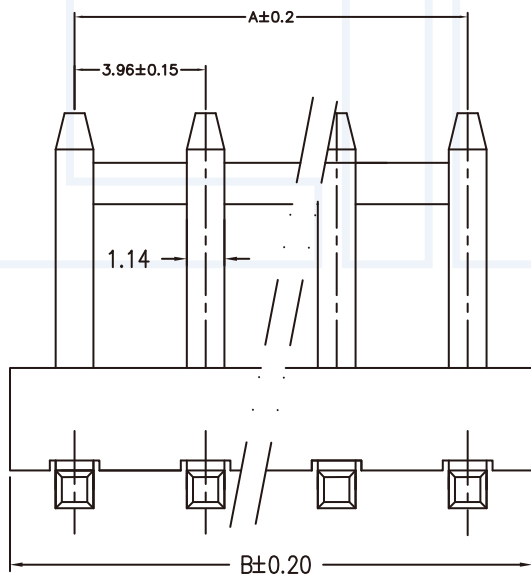
W396-XX XX X XX X

NO.OF PINS Per Row 02-15P	INSULATOR MATERIAL A:PA66 B:PA66 C:PA9T D:LCP	PACKING A:PE Bag B:TUBE C:TRAY
SERLES NO 396:3.96mm	CONTACT PLATING FULL OF GOLD SEMI-GOLD A0=0.8u" B0=0.8U" A9=30u" B9=30U" S1=ORDINARY TIN PLATED S2=MATTE TIN PLATED S3=TIN-PLATED HIGH-TEMPERATURE	CONCTACL SHAPE S: Straight R: Right Angle LT: STRAIGHT SMT WT: RIGHT ANGLE SME



P.C.B Layout

Poles	DIM.A	DIM.B
2A	3.96	7.86
3A	7.92	11.82
4A	11.88	15.78
5A	15.84	19.74
6A	19.80	23.70
7A	23.76	27.66
8A	27.72	31.62
9A	31.68	35.58
10A	35.64	39.54



YLIES 东莞市瑞翔精密连接器有限公司
DONG GUAN YLIES PRECISE CONNECTOR CO.,LTD

Tel:0769-85381995 / Fax:0769-85493987 / Email: ylies@ylies.cn / Web:www.ylies.cn

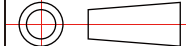
TITLE

417-3.96mm 插针 90度平弯 (VH)

DATE

2018-02-18

PROJECTON



REV

A

UNIT

mm

SCALE

1:1

PAGE

1/1

PART NO:

W396-XXS1BRA

DRAWING NO:

1

2

3

4

5

6

7

8

9