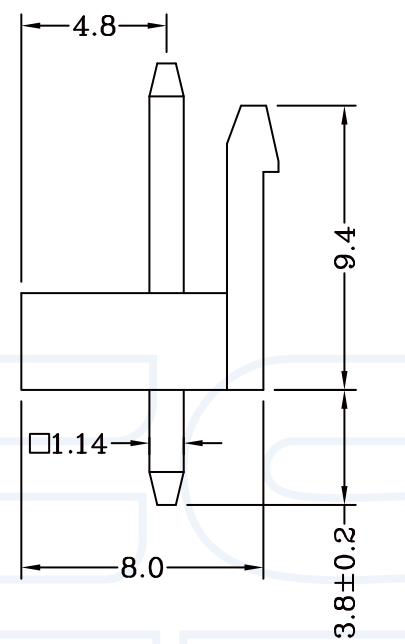
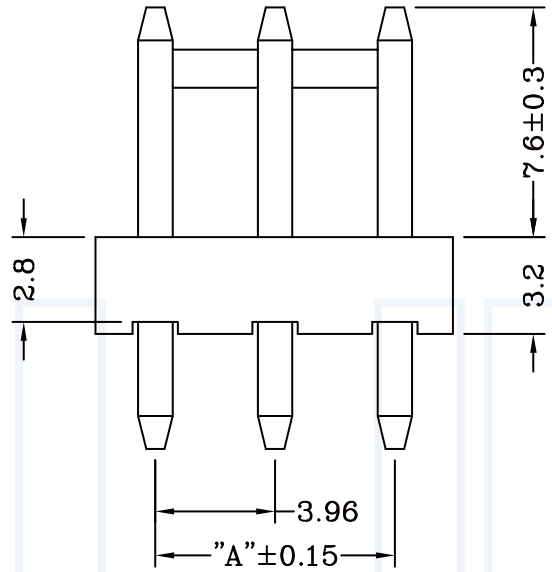


ANGLE	± 5°	REV	LOCAS	DESCRIPTION	DESIGN	DATE	卫国峰
X.XXX	± 0.05	01			DRAWN	DATE	尚伟
X.XX	± 0.15	02			CHECKED	DATE	吴汉学
X.X	± 0.25	03			AUDITED	DATE	龚劲松
X	± 0.50	04			APPROVED	DATE	eric

Specifications/备注 (Remark)

1-材料 (MATERIAL)
 胶芯: PA46 UL94V-0
 Housing: PA46 UL94V-0
 端子: 黄铜
 Contact: Brass

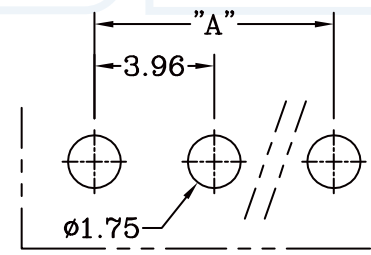
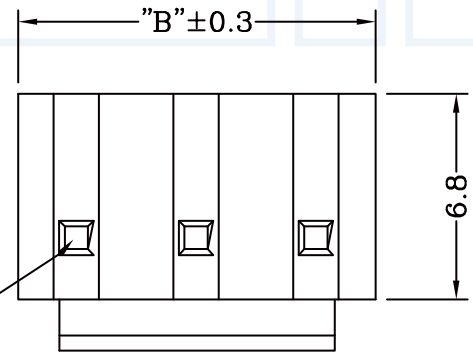
2-特性 (characteristics):
 额定电压: 250V AC/DC .
 Voltage Rating: 250V AC/DC .
 额定电流: 10 AMP(AWG #16-22) .
 Raring Current: 10 AMP(AWG #16-22) .
 接触阻抗: ≤10mΩ MAX.
 Contact Resistance: ≤10mΩ MAX.
 绝缘阻抗: ≥1000MΩMIN.
 Insulating Resistance: ≥1000MΩMIN.
 耐电压: 1500V AC/MINUTE
 Withstanding Voltage: 1500V AC/MINUTE
 温度范围: -25度至+85度
 Temperature Range: -25°Cto +85°C



Poles	DIM.A	DIM.B
2	3.96	7.9
3	7.92	11.8
4	11.88	15.8
5	15.84	19.7
6	19.80	23.7
7	23.76	27.7
8	27.72	31.6
9	31.68	35.6
10	35.64	39.5
11	39.60	43.5
12	43.56	47.5
13	47.52	51.4
14	51.48	55.4
15	55.44	59.3

ORDERING INFORMATION
W396-XX XX X XX X

NO.OF PINS Per Row 02-15P	INSULATOR MATERIAL A:PA46 B:PA66 C:PA9T D:LCP	PACKING A:PE Bag B:TUBE C:TRAY
SERLES NO 396:3.96mm	CONTACT PLATING FULL OF GOLD SEMI-GOLD A0=0.8u" B0=0.8U" A9=30u" B9=30U" S1=ORDINARY TIN PLATED S2=MATTE TIN PLATED S3=TIN-PLATED HIGH-TEMPERATURE	CONTACTL SHAPE S: Straight R: Right Angle LT: STRAIGHT SMT WT: RIGHT ANGLE SME



P.C.B Layout

YLIES 东莞市瑞翔精密连接器有限公司
 DONG GUAN YLIES PRECISE CONNECTOR CO.,LTD

TITLE: 415-3.96mm 插针 180度 (VH) DATE: 2018-02-18

Tel:0769-85381995 / Fax:0769-85493987 / Email: ylies@ylies.cn / Web:www.ylies.cn

PROJECTON REV A UNIT mm SCALE 1:1 PAGE 1/1 PART NO: W396-XXS1BSA DRAWING NO: