

ANGLE	± 5°	REV	LOCAS	DESCRIPTION	DESIGN	DATE	卫国峰
X.XXX	± 0.05	01			DRAWN	DATE	尚伟
X.XX	± 0.15	02			CHECKED	DATE	吴汉学
X.X	± 0.25	03			AUDITED	DATE	龚劲松
X	± 0.50	04			APPROVED	DATE	eric

Specifications/备注 (Remark)

1-材料 (MATERIAL)

端子: 磷青铜

Contact: Phosphor bronze

2-特性 (characteristics):

额定电压: 250V AC/DC .

Voltage Rating:250V AC/DC .

额定电流: 5 AMP (AWG #22-24) .

Rating Current:5 AMP (AWG #22-24) .

接触阻抗: ≤30mΩ MAX.

Contact Resistance:≤30mΩ MAX .

绝缘阻抗: ≥1000MΩMIN.

Insulating Resistance:≥1000MΩMIN.

耐电压: 1000V AC/MINUTE

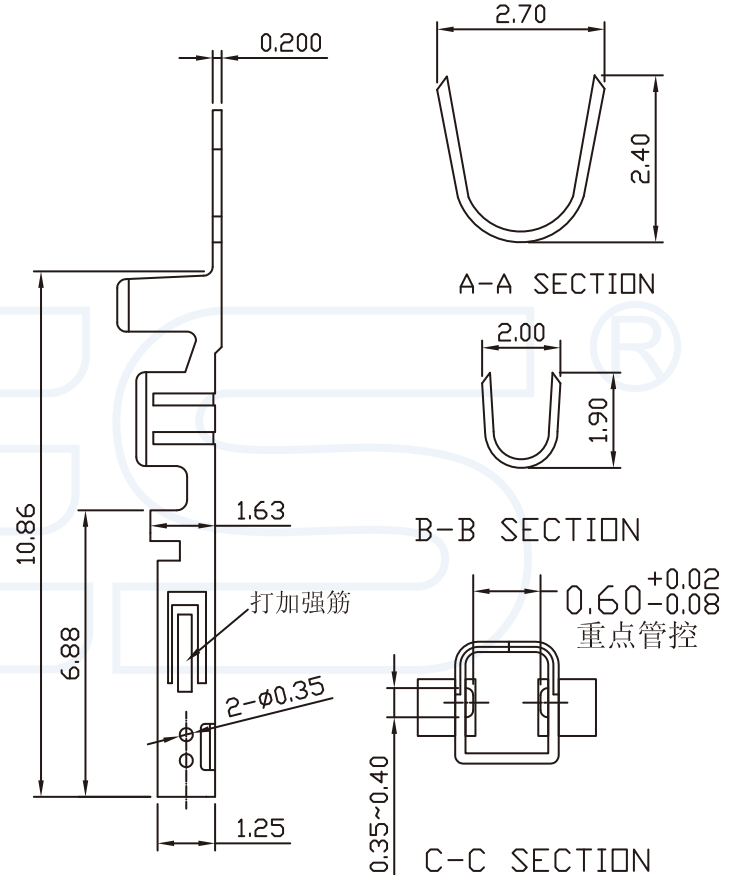
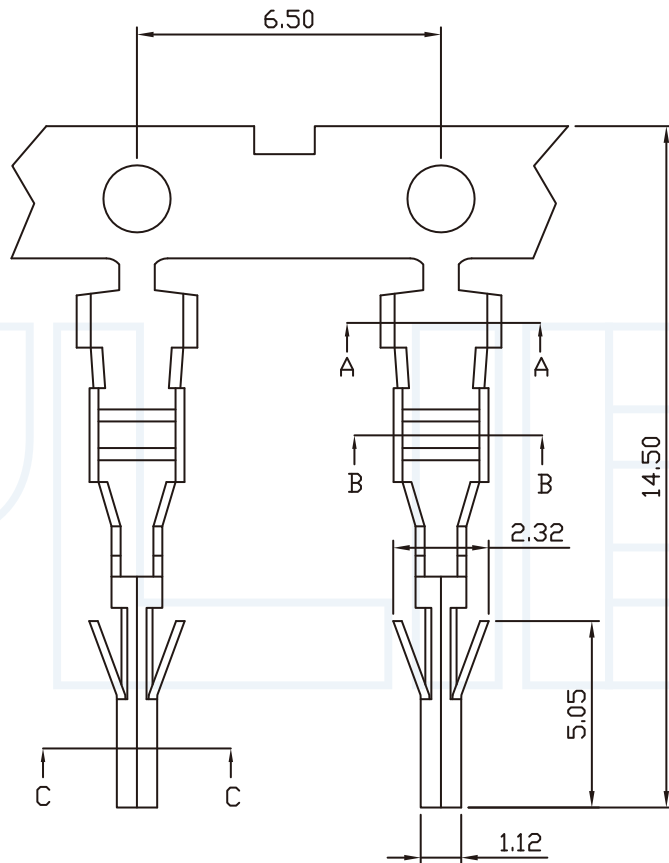
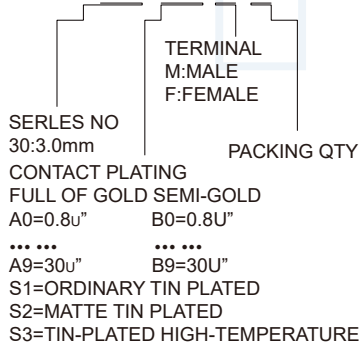
Withstanding Voltage:1000V AC/MINUTE

温度范围: -25度至+85度

Temperature Range: -25°Cto +85°C

ORDERING INFORMATION

T 30-XX XX



USED IN KR3000HF SERIES HOUSING

PART NO.	WIRE RANGE	INSULATION O.D.	MATERIAL	FINISH
B3000MT3AA200	AWG#20-#24	1.85mm(MAX)	PHOSPHOR BRONZE	TIN-PLATED
B3000MB3AA100	AWG#20-#24	1.85mm(MAX)	PHOSPHOR BRONZE	GOLD-PLATED

YLIES 东莞市瑞翔精密连接器有限公司
DONG GUAN YLIES PRECISE CONNECTOR CO.,LTD

TITLE: 410-3.0mm 母端子 (MX3.0)
DATE: 2018-02-18

Tel:0769-85381995 / Fax:0769-85493987 / Email: ylies@ylies.cn / Web:www.ylies.cn

PROJECTON	REV A	UNIT mm	SCALE 1:1	PAGE 1/1	PART NO: T30-S1F10	DRAWING NO:
-----------	-------	---------	-----------	----------	--------------------	-------------