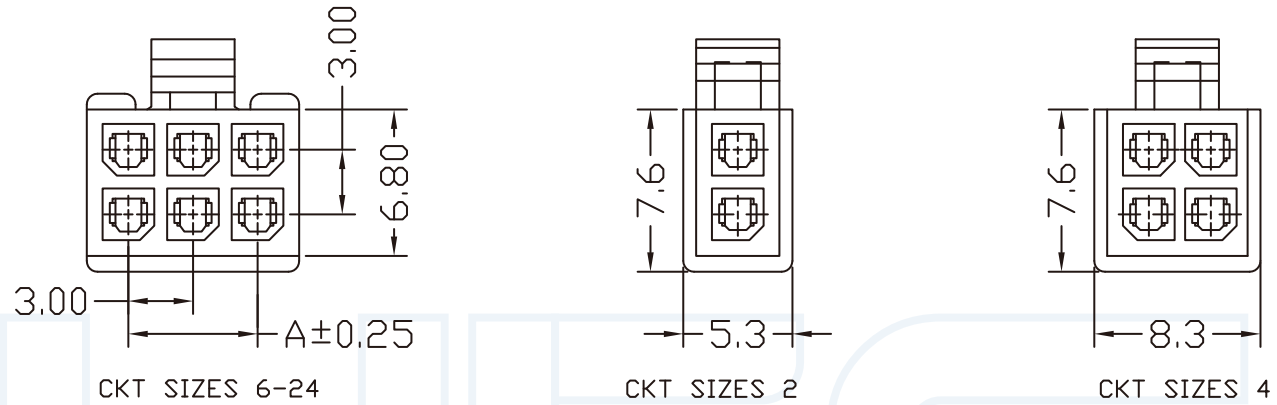


ANGLE	± 5°	REV	LOCAS	DESCRIPTION	DESIGN	DATE	卫国峰
X.XXX	± 0.05	01			DRAWN	DATE	尚伟
X.XX	± 0.15	02			CHECKED	DATE	吴汉学
X.X	± 0.25	03			AUDITED	DATE	龚劲松
X	± 0.50	04			APPROVED	DATE	eric

Specifications/备注 (Remark)

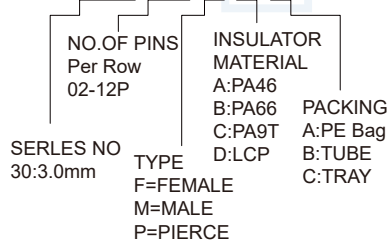
1-材料 (MATERIAL)
 胶芯: PA66 UL94V-2
 Housing: PA66 UL94V-2

2-特性 (characteristics):
 额定电压: 250V AC/DC .
 Voltage Rating: 250V AC/DC .
 额定电流: 5 AMP (AWG #22-24) .
 Rating Current: 5AMP (AWG #22-24) .
 接触阻抗: ≤30mΩ MAX.
 Contact Resistance: ≤30mΩ MAX.
 绝缘阻抗: ≥1000MΩMIN.
 Insulating Resistance: ≥1000MΩMIN.
 耐电压: 1500V AC/MINUTE
 Withstanding Voltage: 1500V AC/MINUTE
 温度范围: -25度至+85度
 Temperature Range: -25°Cto +85°C

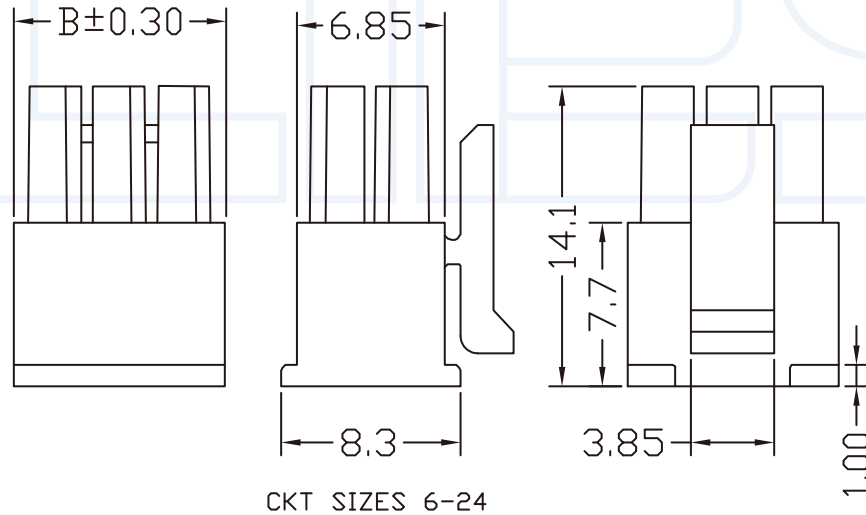


ORDERING INFORMATION

H 30--XX XXX



PART NO.	Dimension mm	
	A	B
A3000F20160P60	---	3.85
A3000F20260P60	3.0	6.85
A3000F20360P60	6.0	9.85
A3000F20460P60	9.0	12.85
A3000F20560P60	12.0	15.85
A3000F20660P60	15.0	18.85
A3000F20760P60	18.0	21.85
A3000F20860P60	21.0	24.85
A3000F20960P60	24.0	27.85
A3000F21060P60	27.0	30.85
A3000F21160P60	30.0	33.85
A3000F21260P60	33.0	37.00



YLIES 东莞市瑞翔精密连接器有限公司
 DONG GUAN YLIES PRECISE CONNECTOR CO.,LTD

Tel:0769-85381995 / Fax:0769-85493987 / Email: ylies@ylies.cn / Web:www.ylies.cn

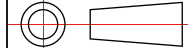
TITLE

407-3.0mm 公胶壳双排(MX3.0)

DATE

2018-02-18

PROJECTON



REV

A

UNIT

mm

SCALE

1:1

PAGE

1/1

PART NO:

H30-XXMBA

DRAWING NO: