

ANGLE	± 5°	REV	LOCAS	DESCRIPTION	DESIGN	DATE	卫国峰
X.XXX	± 0.05	01			DRAWN	DATE	尚伟
X.XX	± 0.15	02			CHECKED	DATE	吴汉学
X.X	± 0.25	03			AUDITED	DATE	龚劲松
X	± 0.50	04			APPROVED	DATE	eric

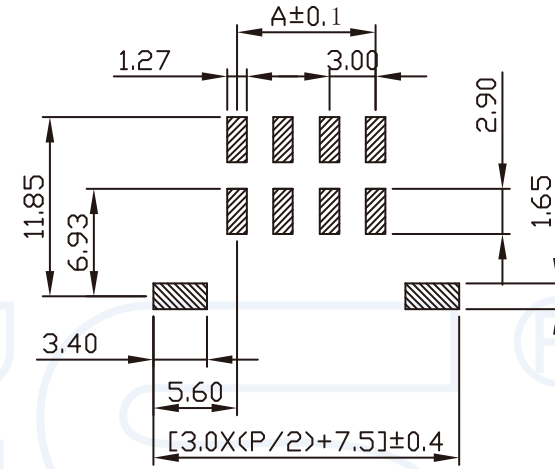
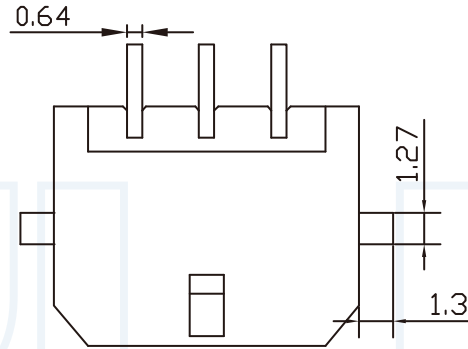
### Specifications/备注 (Remark)

#### 1-材料 (MATERIAL)

胶芯: PA46 UL94V-0  
Housing: PA46 UL94V-0  
端子: 黄铜  
Contact: Brass

#### 2-特性 (characteristics):

额定电压: 250V AC/DC .  
Voltage Rating: 250V AC/DC .  
额定电流: 5 AMP (AWG #22-24) .  
Raring Current: 5 AMP (AWG #22-24) .  
接触阻抗: ≤30mΩ MAX.  
Contact Resistance: ≤30mΩ MAX.  
绝缘阻抗: ≥1000MΩMIN.  
Insulating Resistance: ≥1000MΩMIN.  
耐电压: 1500V AC/MINUTE  
Withstanding Voltage: 1500V AC/MINUTE  
温度范围: -25度至+85度  
Temperture Range: -25°Cto +85°C

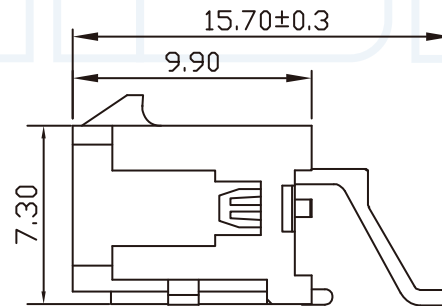
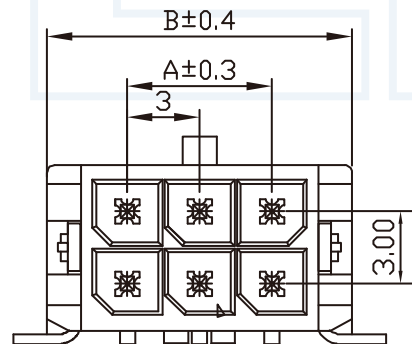


PCB LAYOUT: COMPONENT SIDE

### ORDERING INFORMATION

**W30-XX XX X XX X**

NO.OF PINS Per Row 02-12P	INSULATOR MATERIAL A:PA46 B:PA66 C:PA9T D:LCP	PACKING A:PE Bag B:TUBE C:TRAY
SERLES NO 30:3.0mm	CONTACT PLATING FULL OF GOLD SEMI-GOLD A0=0.8u" B0=0.8u" ..... A9=30u" B9=30u" S1=ORDINARY TIN PLATED S2=MATTE TIN PLATED S3=TIN-PLATED HIGH-TEMPERATURE	CONTACTL SHAPE S: Straight R: Right Angle LT: STRAIGHT SMT WT: RIGHT ANGLE SME



PART NO.	Dimension mm	
	A	B
C3000RS20130LP2B	--	6.65
C3000RS20230LP2B	3.0	9.65
C3000RS20330LP2B	6.0	12.65
C3000RS20430LP2B	9.0	15.65
C3000RS20530LP2B	12.0	18.65
C3000RS20630LP2B	15.0	21.65
C3000RS20730LP2B	18.0	24.65
C3000RS20830LP2B	21.0	27.65
C3000RS20930LP2B	24.0	30.65
C3000RS21030LP2B	27.0	33.65
C3000RS21130LP2B	30.0	36.65
C3000RS21230LP2B	33.0	39.65

**YLIES** 东莞市瑞翔精密连接器有限公司  
DONG GUAN YLIES PRECISE CONNECTOR CO.,LTD

Tel:0769-85381995 / Fax:0769-85493987 / Email: ylies@ylies.cn / Web:www.ylies.cn

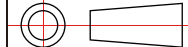
TITLE

406-3.0mm 双排插针 卧贴 (MX3.0)

DATE

2018-02-18

PROJECTON



REV

A

UNIT

mm

SCALE

1:1

PAGE

1/1

PART NO:

W30-XXS1DWTC

DRAWING NO:

1

2

3

4

5

6

7

8

9