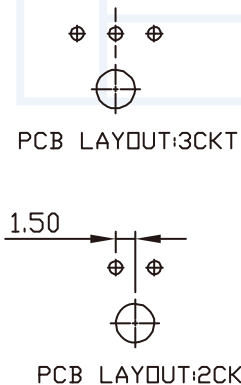
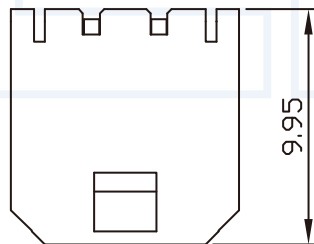
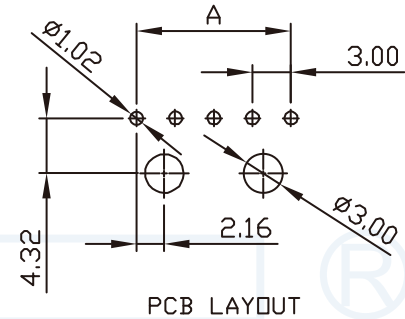
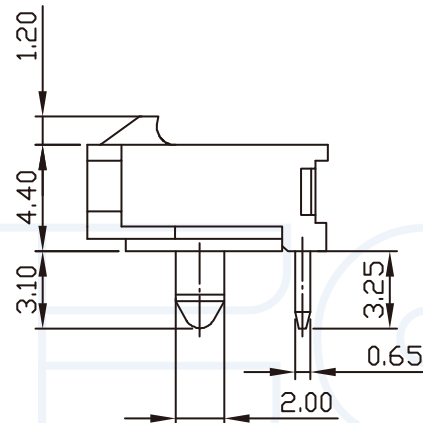
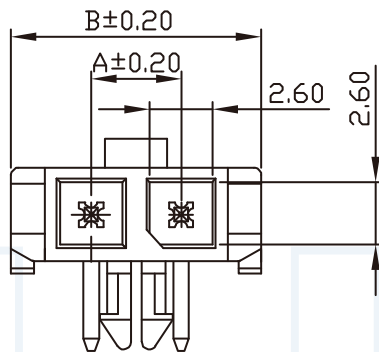


ANGLE	± 5°	REV	LOCAS	DESCRIPTION	DESIGN	DATE	卫国峰
X.XXX	± 0.05	01			DRAWN	DATE	尚伟
X.XX	± 0.15	02			CHECKED	DATE	吴汉学
X.X	± 0.25	03			AUDITED	DATE	龚劲松
X	± 0.50	04			APPROVED	DATE	eric

**Specifications/备注 (Remark)**

1-材料 (MATERIAL)  
 胶芯: PA9T/LCP UL94V-0  
 Housing:PA9T/LCP UL94V-0  
 端子: 黄铜  
 Contact: Brass

2-特性 (characteristics):  
 额定电压: 250V AC/DC .  
 Voltage Rating:250V AC/DC .  
 额定电流: 5 AMP (AWG #22-28) .  
 Raring Current:5 AMP (AWG #22-28) .  
 接触阻抗: ≤30mΩ MAX.  
 Contact Resistance:≤30mΩ MAX.  
 绝缘阻抗: ≥1000MΩMIN.  
 Insulating Resistance:≥1000MΩMIN.  
 耐电压: 1500V AC/MINUTE  
 Withstanding Voltage:1500V AC/MINUTE  
 温度范围: -25度至+85度  
 Temperature Range: -25°Cto +85°C



**ORDERING INFORMATION**

W30-XX XX X XX X

NO.OF PINS Per Row 02-08P	INSULATOR MATERIAL A:PA46 B:PA66 C:PA9T D:LCP	PACKING A:PE Bag B:TUBE C:TRAY
SERLES NO 30:3.0mm	CONTACT PLATING FULL OF GOLD SEMI-GOLD A0=0.8u" B0=0.8U"	CONTACTL SHAPE S: Straight R: Right Angle LT: STRAIGHT SMT WT: RIGHT ANGLE SME
A9=30u" B9=30U"	S1=ORDINARY TIN PLATED S2=MATTE TIN PLATED S3=TIN-PLATED HIGH-TEMPERATURE	

PART NO.	Dimension mm	
	A	B
W30-02XXXSA	3.0	9.65
W30-03XXXSA	6.0	12.65
W30-04XXXSA	9.0	15.65
W30-05XXXSA	12.0	18.65
W30-06XXXSA	15.0	21.65
W30-07XXXSA	18.0	24.65
W30-08XXXSA	21.0	27.65

**YLIES** 东莞市瑞翔精密连接器有限公司  
 DONG GUAN YLIES PRECISE CONNECTOR CO.,LTD

Tel:0769-85381995 / Fax:0769-85493987 / Email: ylies@ylies.cn / Web:www.ylies.cn

TITLE 398-3.0mm 单排插针 90度 及带定位柱 DATE 2018-02-18

PROJECTON REV A UNIT mm SCALE 1:1 PAGE 1/1

PART NO: W30-XXXXXSA DRAWING NO: