

ANGLE	± 5°	REV	LOCAS	DESCRIPTION	DESIGN	DATE	卫国峰
X.XXX	± 0.05	01			DRAWN	DATE	尚伟
X.XX	± 0.15	02			CHECKED	DATE	吴汉学
X.X	± 0.25	03			AUDITED	DATE	龚劲松
X	± 0.50	04			APPROVED	DATE	eric

Specifications/备注 (Remark)

1-材料 (MATERIAL)

胶芯: PA9T/LCP UL94V-0
Housing: PA9T/LCP UL94V-0
端子: 黄铜
Contact: Brass

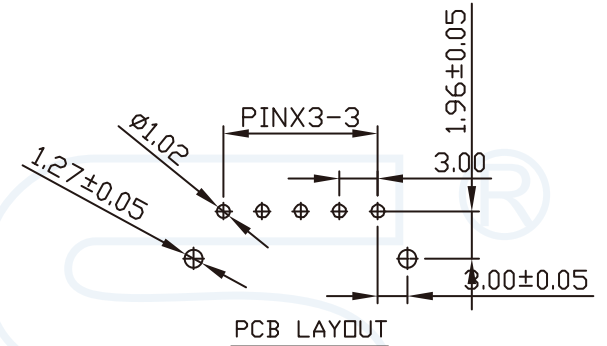
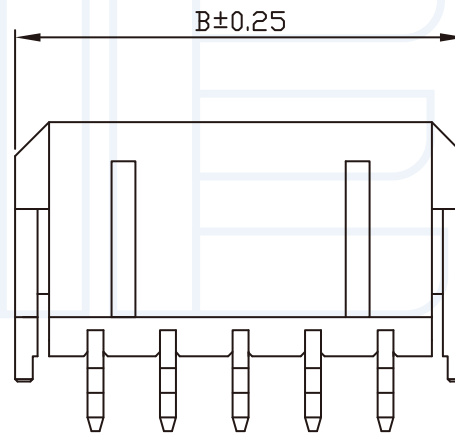
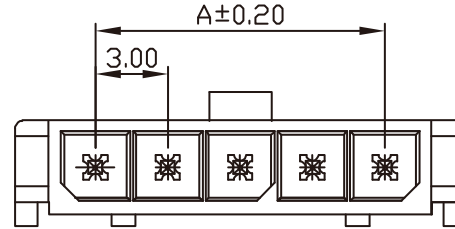
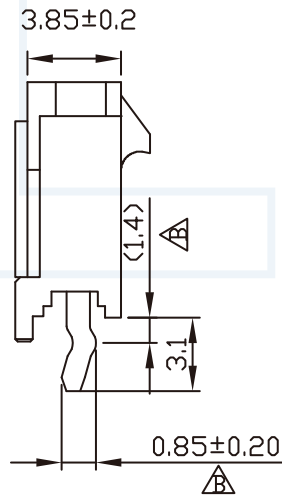
2-特性 (characteristics):

额定电压: 250V AC/DC .
Voltage Rating: 250V AC/DC .
额定电流: 5 AMP (AWG #22-28) .
Raring Current: 5 AMP (AWG #22-28) .
接触阻抗: ≤30mΩ MAX.
Contact Resistance: ≤30mΩ MAX.
绝缘阻抗: ≥1000MΩMIN.
Insulating Resistance: ≥1000MΩMIN.
耐电压: 1500V AC/MINUTE
Withstanding Voltage: 1500V AC/MINUTE
温度范围: -25度至+85度
Temperature Range: -25°Cto +85°C

ORDERING INFORMATION

W30-XX XX X XX X

NO.OF PINS Per Row 02-08P	INSULATOR MATERIAL A:PA46 B:PA66 C:PA9T D:LCP	PACKING A:PE Bag B:TUBE C:TRAY
SERLES NO 30:3.0mm	CONTACT SHAPE S: Straight R: Right Angle LT: STRAIGHT SMT WT: RIGHT ANGLE SME	
CONTACT PLATING FULL OF GOLD SEMI-GOLD A0=0.8u" B0=0.8U" A9=30u" B9=30U" S1=ORDINARY TIN PLATED S2=MATTE TIN PLATED S3=TIN-PLATED HIGH-TEMPERATURE		



PART NO.	Dimension mm	
	A	B
W30-02XXXSA	3.0	9.65
W30-03XXXSA	6.0	12.65
W30-04XXXSA	9.0	15.65
W30-05XXXSA	12.0	18.65
W30-06XXXSA	15.0	21.65
W30-07XXXSA	18.0	24.65
W30-08XXXSA	21.0	27.65

YLIES 东莞市瑞翔精密连接器有限公司
DONG GUAN YLIES PRECISE CONNECTOR CO.,LTD

Tel:0769-85381995 / Fax:0769-85493987 / Email: ylies@ylies.cn / Web:www.ylies.cn

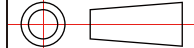
TITLE

397-3.0mm 单排插针 180度

DATE

2018-02-18

PROJECTON



REV
A

UNIT
mm

SCALE
1:1

PAGE
1/1

PART NO:

W30-XXXXXSA

DRAWING NO: