

1 2 3 4 5 6 7 8 9

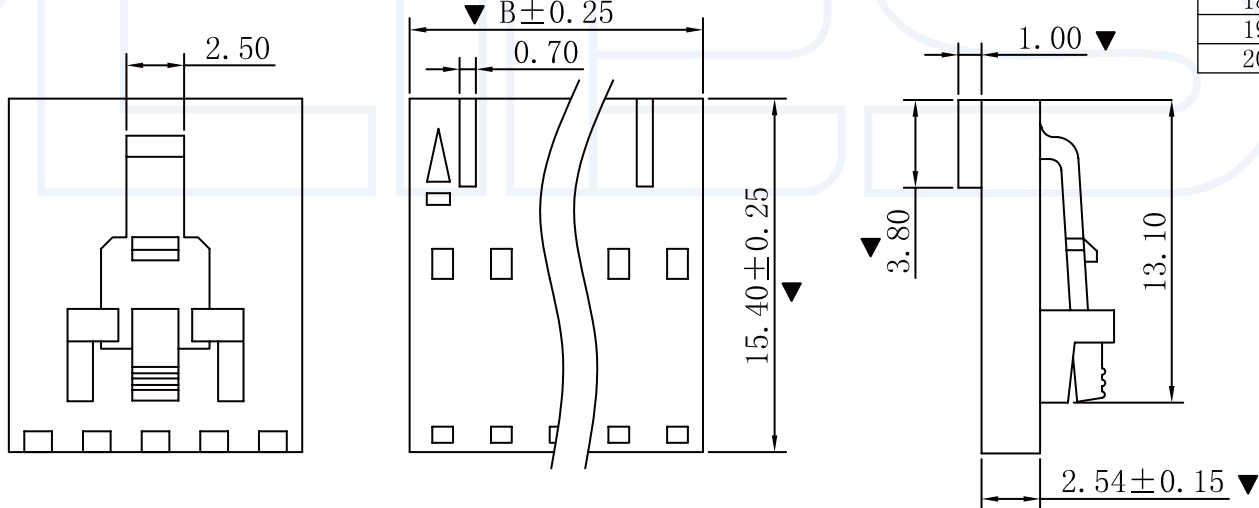
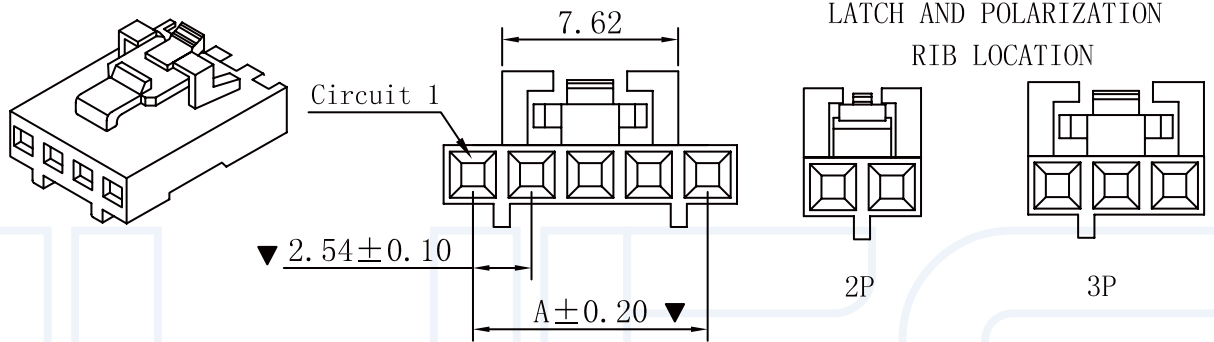
ANGLE	± 5°	REV	LOCAS	DESCRIPTION	DESIGN	DATE	卫国峰
X.XXX	± 0.05	01			DRAWN	DATE	尚伟
X.XX	± 0.15	02			CHECKED	DATE	吴汉学
X.X	± 0.25	03			AUDITED	DATE	龚劲松
X	± 0.50	04			APPROVED	DATE	eric

PART NO.	Dimensions (mm)	
	A	B
02	2.54	5.08
03	5.08	7.62
04	7.62	10.16
05	10.16	12.70
06	12.70	15.24
07	15.24	17.78
08	17.78	20.32
09	20.32	22.86
10	22.86	25.40
11	25.40	27.94
12	27.94	30.48
13	30.48	33.02
14	33.02	35.56
15	35.56	38.10
16	38.10	40.64
17	40.64	43.18
18	43.18	45.72
19	45.72	48.26
20	48.26	50.80

**Specifications/备注 (Remark)**

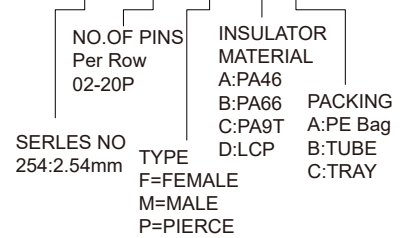
1-材料 (MATERIAL)  
 胶芯: PA66 UL94V-2  
 Housing: PA66 UL94V-2

2-特性 (characteristics):  
 额定电压: 250V AC/DC .  
 Voltage Rating: 250V AC/DC .  
 额定电流: 5 AMP (AWG #22-26) .  
 Raring Current: 5AMP (AWG #22-26) .  
 接触阻抗: ≤20mΩ MAX.  
 Contact Resistance: ≤20mΩ MAX.  
 绝缘阻抗: ≥1000MΩMIN.  
 Insulating Resistance: ≥1000MΩMIN.  
 耐电压: 1500V AC/MINUTE  
 Withstanding Voltage: 1500V AC/MINUTE  
 温度范围: -25度至+85度  
 Temperature Range: -25°Cto +85°C



**ORDERING INFORMATION**

H 254--XX X X X



**YLIES** 东莞市瑞翔精密连接器有限公司  
 DONG GUAN YLIES PRECISE CONNECTOR CO.,LTD

Tel:0769-85381995 / Fax:0769-85493987 / Email: ylies@ylies.cn / Web:www.ylies.cn

TITLE 395- 2.54mm 公胶壳单排(CD-ROM) DATE 2018-02-18

PROJECTON REV A UNIT mm SCALE 1:1 PAGE 1/1

PART NO: H254-XXMBA DRAWING NO:

1 2 3 4 5 6 7 8 9