

1 2 3 4 5 6 7 8 9

ANGLE	± 5°	REV	LOCAS	DESCRIPTION	DESIGN	DATE	卫国峰
X.XXX	± 0.05	01			DRAWN	DATE	尚伟
X.XX	± 0.15	02			CHECKED	DATE	吴汉学
X.X	± 0.25	03			AUDITED	DATE	龚劲松
X	± 0.50	04			APPROVED	DATE	eric

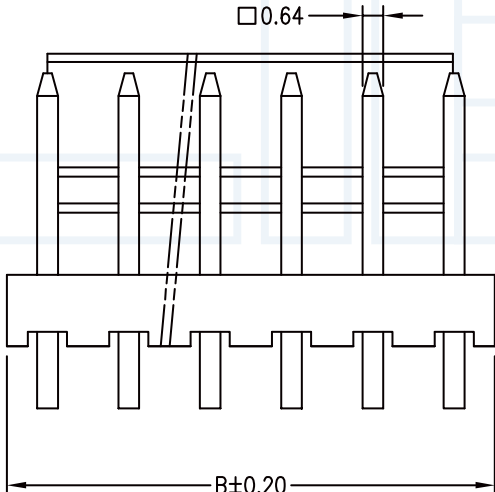
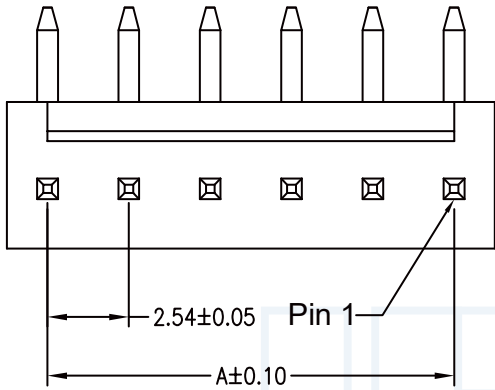
Specifications/备注 (Remark)

1-材料 (MATERIAL)
 胶芯: PA66 UL94V-0
 Housing: PA66 UL94V-0
 端子: 黄铜
 Contact: Brass

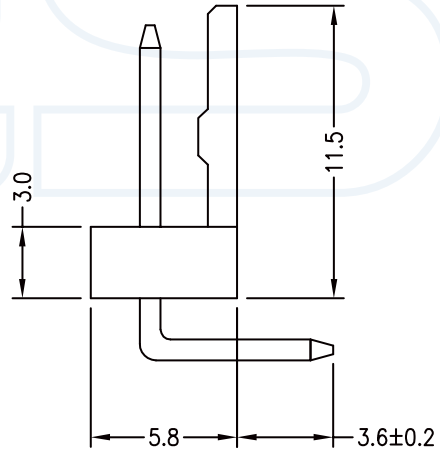
2-特性 (characteristics):
 额定电压: 250V AC/DC .
 Voltage Rating: 250V AC/DC .
 额定电流: 3 AMP (AWG #22-28) .
 Rating Current: 3 AMP (AWG #22-28) .
 接触阻抗: ≤20mΩ MAX.
 Contact Resistance: ≤20mΩ MAX.
 绝缘阻抗: ≥1000MΩMIN.
 Insulating Resistance: ≥1000MΩMIN.
 耐压: 1000V AC/MINUTE
 Withstanding Voltage: 1000V AC/MINUTE
 温度范围: -25度至+85度
 Temperature Range: -25°C to +85°C

ORDERING INFORMATION
W254-XX XX X XX X

NO.OF PINS Per Row 02-15P	INSULATOR MATERIAL A:PA46 B:PA66 C:PA9T D:LCP	PACKING A:PE Bag B:TUBE C:TRAY
SERLES NO 254:2.54mm		
CONTACT PLATING FULL OF GOLD SEMI-GOLD A0=0.8u" B0=0.8U"	CONTACT SHAPE S: Straight R: Right Angle LT: STRAIGHT SMT WT: RIGHT ANGLE SME	
... ..		
A9=30u" B9=30U"		
S1=ORDINARY TIN PLATED S2=MATTE TIN PLATED S3=TIN-PLATED HIGH-TEMPERATURE		



Part No	A	B	Part No	A	B
2510-2AW	2.54	5.08	2510-10AW	22.86	25.40
2510-3AW	5.08	7.62	2510-11AW	25.40	27.94
2510-4AW	7.62	10.16	2510-12AW	27.94	30.48
2510-5AW	10.16	12.70	2510-13AW	30.48	33.02
2510-6AW	12.70	15.24	2510-14AW	33.02	35.56
2510-7AW	15.24	17.78	2510-15AW	35.56	38.10
2510-8AW	17.78	20.32	2510-16AW	38.10	40.64
2510-9AW	20.32	22.86	2510-20AW	48.26	50.80



YLIES 东莞市瑞翔精密连接器有限公司
 DONG GUAN YLIES PRECISE CONNECTOR CO.,LTD

Tel:0769-85381995 / Fax:0769-85493987 / Email: ylies@ylies.cn / Web:www.ylies.cn

TITLE 388-2.54mm 单排插针90度 带靠背 DATE 2018-02-18

PROJECTON REV A UNIT mm SCALE 1:1 PAGE 1/1

PART NO: W254-XXS1BRA DRAWING NO:

1 2 3 4 5 6 7 8 9