

1 2 3 4 5 6 7 8 9

ANGLE	± 5°	REV	LOCAS	DESCRIPTION	DESIGN	DATE	卫国峰
X.XXX	± 0.05	01			DRAWN	DATE	尚伟
X.XX	± 0.15	02			CHECKED	DATE	吴汉学
X.X	± 0.25	03			AUDITED	DATE	龚劲松
X	± 0.50	04			APPROVED	DATE	eric

Specifications/备注 (Remark)

1-材料 (MATERIAL)
端子: 磷青铜
Contact: Phosphor bronze

2-特性 (characteristics):
额定电压: 250V AC/DC .
Voltage Rating:250V AC/DC .
额定电流: 3 AMP (AWG #22-28) .
Raring Current:3 AMP (AWG #22-28) .
接触阻抗: ≤20mΩ MAX.
Contact Resistance:≤20mΩ MAX .
绝缘阻抗: ≥1000MΩMIN.
Insulating Resistance:≥1000MΩMIN.
耐电压: 1000V AC/MINUTE
Withstanding Voltage:1000V AC/MINUTE
温度范围: -25度至+85度
Temperture Range: -25°Cto +85°C

ORDERING INFORMATION

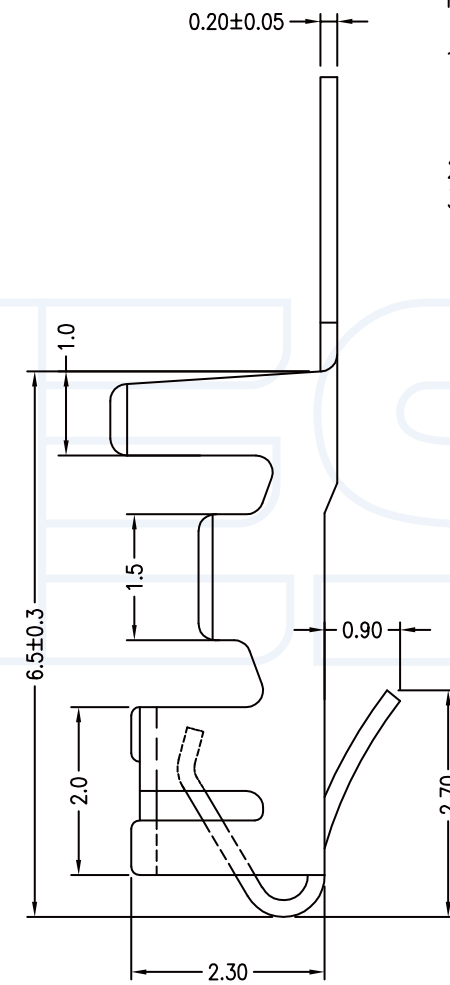
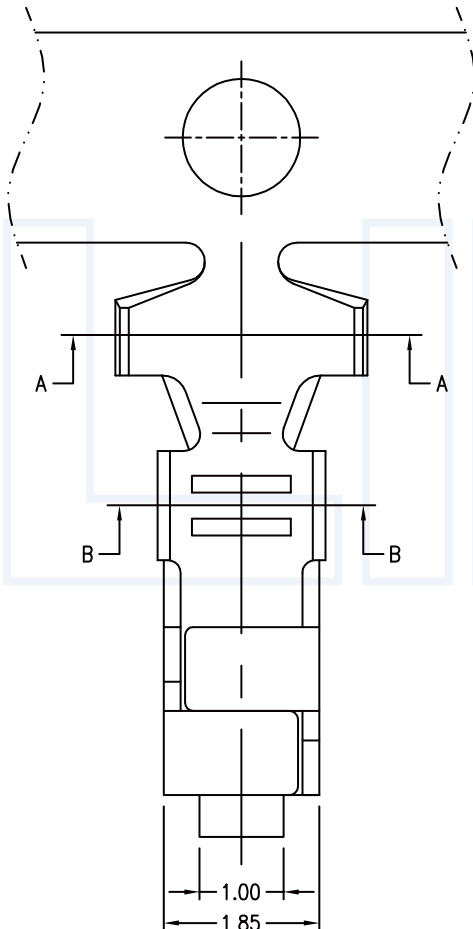
T254- XX X X

TERMINAL
M:MALE
F:FEMALE

SERLES NO
254:2.54mm

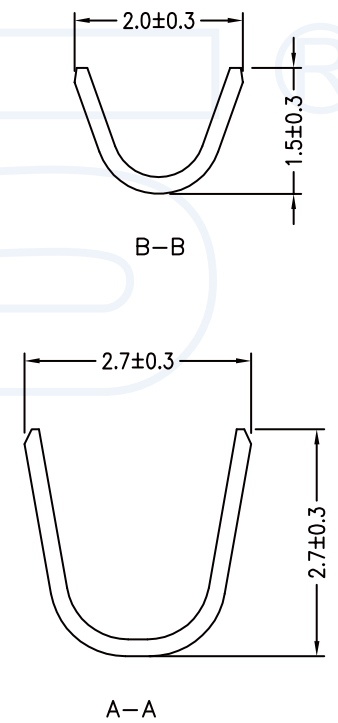
PACKING QTY

CONTACT PLATING
FULL OF GOLD SEMI-GOLD
A0=0.8u" B0=0.8U"
.....
A9=30u" B9=30U"
S1=ORDINARY TIN PLATED
S2=MATTE TIN PLATED
S3=TIN-PLATED HIGH-TEMPERATURE



Notes:

1. MATERIAL: PHOSPHOR BRONZE, HV 200±5°
JIS C5191R-H,
2. Finish: Tin-plating
3. Wire range: AWG #22~#28



YLIES 东莞市瑞翔精密连接器有限公司
DONG GUAN YLIES PRECISE CONNECTOR CO.,LTD

Tel:0769-85381995 / Fax:0769-85493987 / Email: ylies@ylies.cn / Web:www.ylies.cn

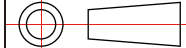
TITLE

382-2.54mm 端子(XH)

DATE

2018-02-18

PROJECTON



REV

A

UNIT

mm

SCALE

1:1

PAGE

1/1

PART NO:

T254-S1XC

DRAWING NO:

1 2 3 4 5 6 7 8 9