

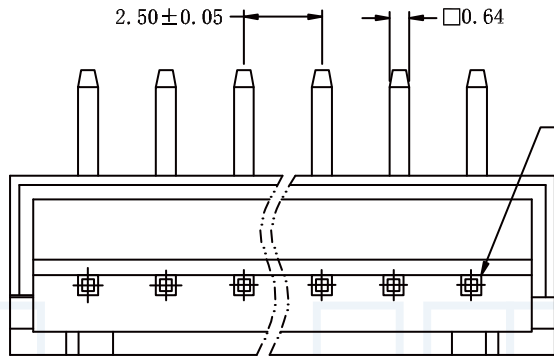
1 2 3 4 5 6 7 8 9

ANGLE	± 5°	REV	LOCAS	DESCRIPTION	DESIGN	DATE	卫国峰
X.XXX	± 0.05	01			DRAWN	DATE	尚伟
X.XX	± 0.15	02			CHECKED	DATE	吴汉学
X.X	± 0.25	03			AUDITED	DATE	龚劲松
X	± 0.50	04			APPROVED	DATE	eric

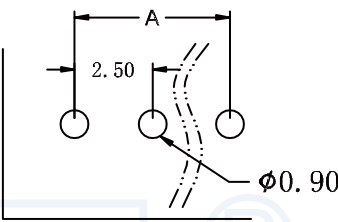
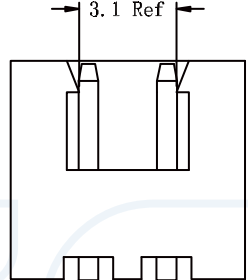
**Specifications/备注 (Remark)**

1-材料 (MATERIAL)  
 胶芯: PA66 UL94V-2  
 Housing: PA66 UL94V-2  
 端子: 黄铜  
 Contact: Brass

2-特性 (characteristics):  
 额定电压: 250V AC/DC .  
 Voltage Rating: 250V AC/DC .  
 额定电流: 3 AMP (AWG #22-30) .  
 Raring Current: 3 AMP (AWG #22-30) .  
 接触阻抗: ≤20mΩ MAX.  
 Contact Resistance: ≤20mΩ MAX.  
 绝缘阻抗: ≥1000MΩMIN.  
 Insulating Resistance: ≥1000MΩMIN.  
 耐电压: 1000V AC/MINUTE  
 Withstanding Voltage: 1000V AC/MINUTE  
 温度范围: -25度至+85度  
 Temperature Range: -25°Cto +85°C



circuit No.1



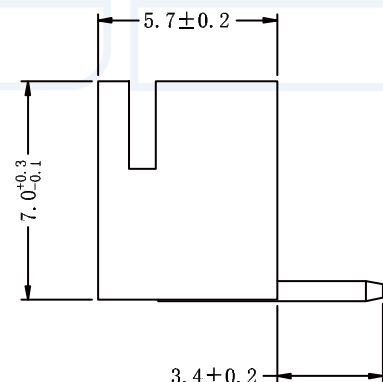
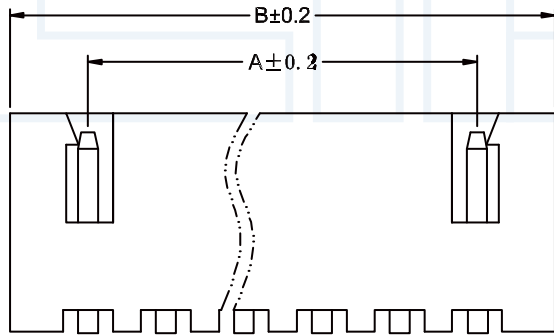
P. C. B LAYOUT

2 Pin

**ORDERING INFORMATION**

W254-XX XX X XX X

NO.OF PINS Per Row 02-20P	INSULATOR MATERIAL A:PA46 B:PA66 C:PA9T D:LCP	PACKING A:PE Bag B:TUBE C:TRAY
SERLES NO 254:2.54mm	CONTACT PLATING FULL OF GOLD SEMI-GOLD A0=0.8u" B0=0.8u"	CONTACTL SHAPE S: Straight R: Right Angle LT: STRAIGHT SMT WT: RIGHT ANGLE SME
.....	A9=30u" B9=30U"	
S1=ORDINARY TIN PLATED		
S2=MATTE TIN PLATED		
S3=TIN-PLATED HIGH-TEMPERATURE		



Poles	尺寸	
	A	B
2	2.5	7.5
3	5.0	10.0
4	7.5	12.5
5	10.0	15.0
6	12.5	17.5
7	15.0	20.0
8	17.5	22.5
9	20.0	25.0
10	22.5	27.5
11	25.0	30.0
12	27.5	32.5
13	30.0	35.0
14	32.5	37.5
15	35.0	40.0
20	37.5	42.5

**YLIES** 东莞市瑞翔精密连接器有限公司  
 DONG GUAN YLIES PRECISE CONNECTOR CO.,LTD

TITLE

379-2.54mm 单排插针 90度 (XH)

DATE 2018-02-18

Tel:0769-85381995 / Fax:0769-85493987 / Email: ylies@ylies.cn / Web:www.ylies.cn

PROJECTON	REV	UNIT	SCALE	PAGE	PART NO:	DRAWING NO:
	A	mm	1:1	1/1	W254-XXS1BRA	

1 2 3 4 5 6 7 8 9