

ANGLE	± 5°	REV	LOCAS	DESCRIPTION	DESIGN	DATE	卫国峰
X.XXX	± 0.05	01			DRAWN	DATE	尚伟
X.XX	± 0.15	02			CHECKED	DATE	吴汉学
X.X	± 0.25	03			AUDITED	DATE	龚劲松
X	± 0.50	04			APPROVED	DATE	eric

Specifications/备注 (Remark)

1-材料 (MATERIAL)

胶芯: PA9T UL94V-0
Housing: PA9T UL94V-0
端子: 黄铜

Contact: Brass

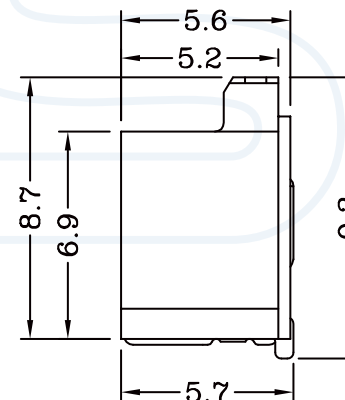
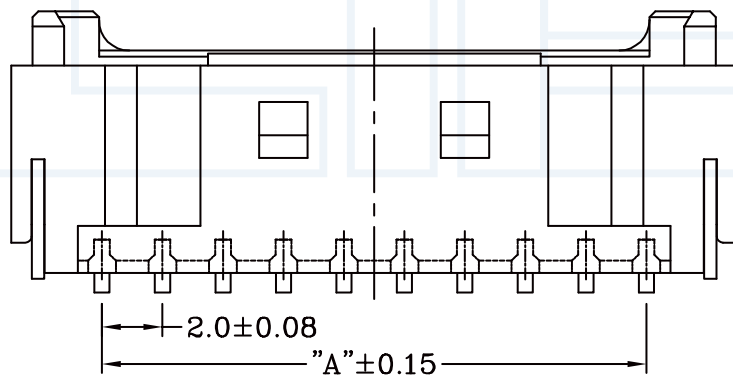
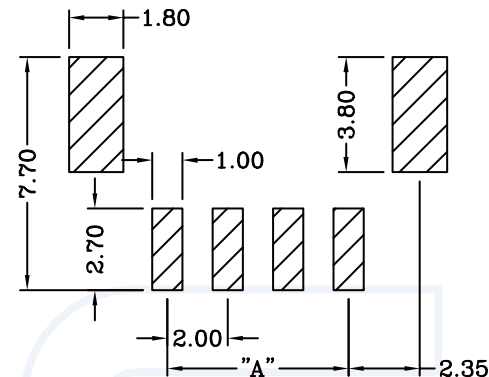
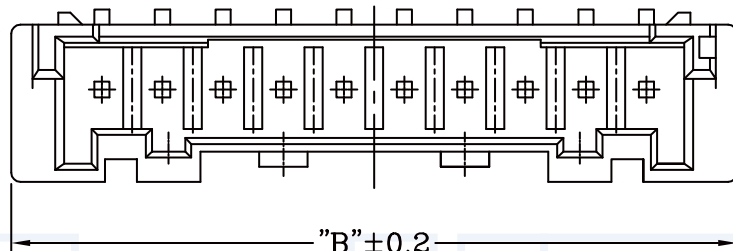
2-特性 (characteristics):

额定电压: 250V AC/DC .
Voltage Rating: 250V AC/DC .
额定电流: 3 AMP (AWG #22-28) .
Rating Current: 3 AMP (AWG #22-28) .
接触阻抗: ≤10mΩ MAX.
Contact Resistance: ≤10mΩ MAX.
绝缘阻抗: ≥1000MΩMIN.
Insulating Resistance: ≥1000MΩMIN.
耐电压: 800V AC/MINUTE
Withstanding Voltage: 800V AC/MINUTE
温度范围: -25度至+85度
Temperature Range: -25°C to +85°C

ORDERING INFORMATION

W20-XX XX X XX X

NO.OF PINS Per Row 02-15P	INSULATOR MATERIAL A:PA46 B:PA66 C:PA9T D:LCP	PACKING A:PE Bag B:TUBE C:TRAY
SERLES NO 20:2.0mm	CONTACT PLATING FULL OF GOLD SEMI-GOLD A0=0.8u" B0=0.8U"	CONTACT SHAPE S: Straight R: Right Angle LT: STRAIGHT SMT WT: RIGHT ANGLE SME
...
A9=30u" B9=30U"	S1=ORDINARY TIN PLATED S2=MATTE TIN PLATED S3=TIN-PLATED HIGH-TEMPERATURE	



	2P	3P	4P	5P	6P	7P	8P	9P	10P	11P	12P	13P	14P	15P
A	2.0	4.0	6.0	8.0	10.0	12.0	14.0	16.0	18.0	20.0	22.0	24.0	26.0	28.0
B	8.0	10.0	12.0	14.0	16.0	18.0	20.0	22.0	24.0	26.0	28.0	30.0	32.0	34.0

YLIES 东莞市瑞翔精密连接器有限公司
DONG GUAN YLIES PRECISE CONNECTOR CO.,LTD

Tel:0769-85381995 / Fax:0769-85493987 / Email: ylies@ylies.cn / Web:www.ylies.cn

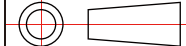
TITLE

376-2.0mm 卧贴 单排插针(PA)

DATE

2018-02-18

PROJECTON



REV

UNIT

SCALE

PAGE

PART NO:

W20-XXS1CWTB

DRAWING NO: