

ANGLE	± 5°	REV	LOCAS	DESCRIPTION	DESIGN	DATE	卫国峰
X.XXX	± 0.05	01			DRAWN	DATE	尚伟
X.XX	± 0.15	02			CHECKED	DATE	吴汉学
X.X	± 0.25	03			AUDITED	DATE	龚劲松
X	± 0.50	04			APPROVED	DATE	eric

Specifications/备注 (Remark)

1-材料 (MATERIAL)

胶芯: PA66 UL94V-2
Housing: PA66 UL94V-2
端子: 黄铜
Contact: Brass

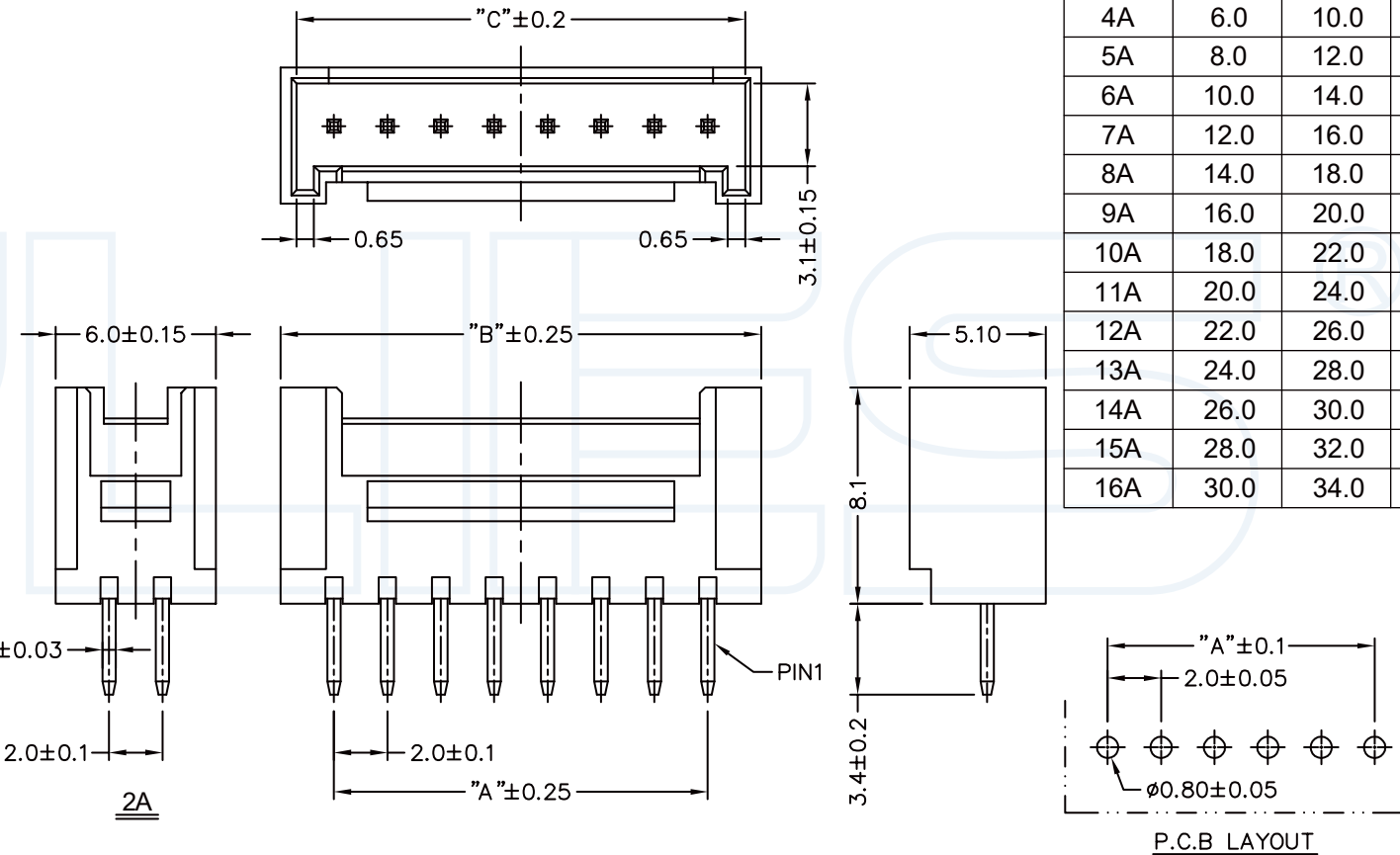
2-特性 (characteristics):

额定电压: 125V AC/DC
Voltage Rating: 125V AC/DC
额定电流: 2 AMP (AWG #22-30)
Raring Current: 2 AMP (AWG #22-30)
接触阻抗: ≤20mΩ MAX.
Contact Resistance: ≤20mΩ MAX.
绝缘阻抗: ≥1000MΩMIN.
Insulating Resistance: ≥1000MΩMIN.
耐压: 1000V AC/MINUTE
Withstanding Voltage: 1000V AC/MINUTE
温度范围: -25度至+85度
Temperature Range: -25°C to +85°C

ORDERING INFORMATION

W20-XX XX X XX X

NO.OF PINS Per Row 02-16P	INSULATOR MATERIAL A:PA46 B:PA66 C:PA9T D:LCP	PACKING A:PE Bag B:TUBE C:TRAY
SERLES NO 20:2.0mm	CONTACT PLATING FULL OF GOLD SEMI-GOLD A0=0.8u" B0=0.8U" A9=30u" B9=30U" S1=ORDINARY TIN PLATED S2=MATTE TIN PLATED S3=TIN-PLATED HIGH-TEMPERATURE	CONTACL SHAPE S: Straight R: Right Angle LT: STRAIGHT SMT WT: RIGHT ANGLE SME



Poles	DIM.A	DIM.B	DIM.C
2A	2.0	6.0	4.8
3A	4.0	8.0	6.8
4A	6.0	10.0	8.8
5A	8.0	12.0	10.8
6A	10.0	14.0	12.8
7A	12.0	16.0	14.8
8A	14.0	18.0	16.8
9A	16.0	20.0	18.8
10A	18.0	22.0	20.8
11A	20.0	24.0	22.8
12A	22.0	26.0	24.8
13A	24.0	28.0	26.8
14A	26.0	30.0	28.8
15A	28.0	32.0	30.8
16A	30.0	34.0	32.8

YLIES 东莞市瑞翔精密连接器有限公司
DONG GUAN YLIES PRECISE CONNECTOR CO.,LTD

Tel:0769-85381995 / Fax:0769-85493987 / Email: ylies@ylies.cn / Web:www.ylies.cn

TITLE 367-2.0mm 单排插针 带扣180度 DATE 2018-02-18

PROJECTON REV A UNIT mm SCALE 1:1 PAGE 1/1 PART NO: W20-08S1BSA DRAWING NO: