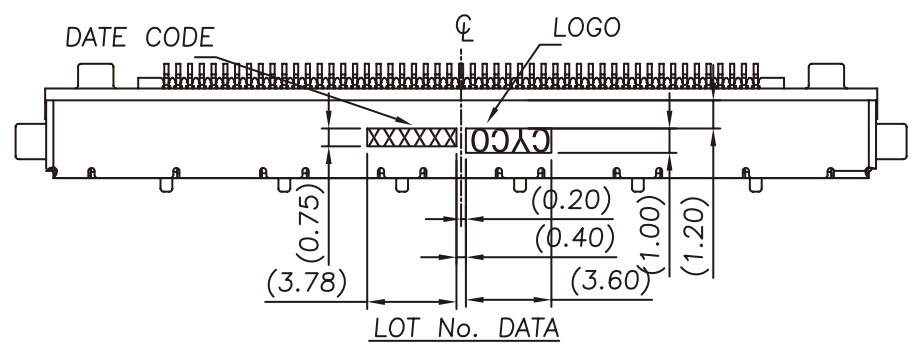
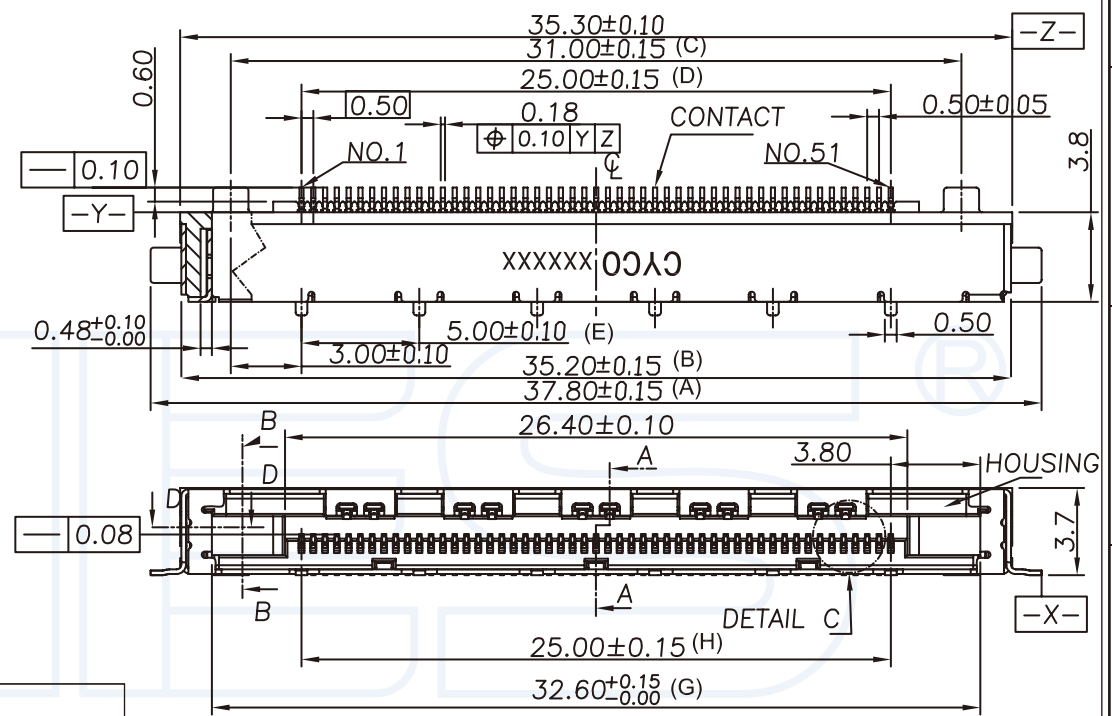
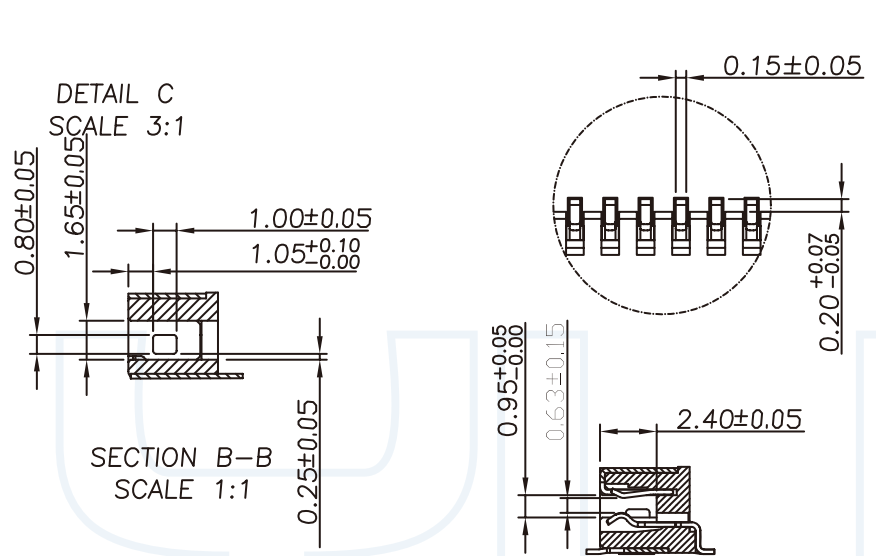


ANGLE	± 5°	REV	LOCAS	DESCRIPTION	DESIGN	DATE	卫国峰
X.XXX	± 0.05	01			DRAWN	DATE	尚伟
X.XX	± 0.15	02			CHECKED	DATE	吴汉学
X.X	± 0.25	03			AUDITED	DATE	龚劲松
X	± 0.50	04			APPROVED	DATE	eric



NO.OF PIN	DIMENSION									
	A±0.15	B±0.15	C±0.15	D±0.15	E±0.1	F±0.1	G ^{+0.10} _{0.00}	H±0.15	I	J
51	37.8	35.35	31.00	25.00	5.00	25.00	32.65	25.00	35.95	34.75
41	32.8	30.35	26.00	20.00	4.00	15.00	28.65	20.00	30.95	29.75
1	HOUSING	LCP, BLACK			1					
2	SHELL	SUS304R-3/4H T=0.2			1	20u"min Ni 70u"min Matte Sn				
3	TERMINAL	C5210R-EH T=0.2			51	50u"min Ni 5u"min GOLD 70u"min Matte Sn				
ITEM	DESC.	MATERIAL			Q'T	REMARKS				

PROJECTON	REV A	UNIT mm	SCALE 1:1	PAGE 1/1	TITLE	DATE
					540-0.5mm LVDS	2018-02-18
PART NO:		LV-FMB0EBC		DRAWING NO:		

YLIES 东莞市瑞翔精密连接器有限公司
DONG GUAN YLIES PRECISE CONNECTOR CO.,LTD
Tel:0769-85381995 / Fax:0769-85493987 / Email: ylies@ylies.cn / Web:www.ylies.cn