

1 2 3 4 5 6 7 8 9

ANGLE	± 5°	REV	LOCAS	DESCRIPTION	DESIGN	DATE	卫国峰
X.XXX	± 0.05	01			DRAWN	DATE	尚伟
X.XX	± 0.15	02			CHECKED	DATE	吴汉学
X.X	± 0.25	03			AUDITED	DATE	龚劲松
X	± 0.50	04			APPROVED	DATE	eric

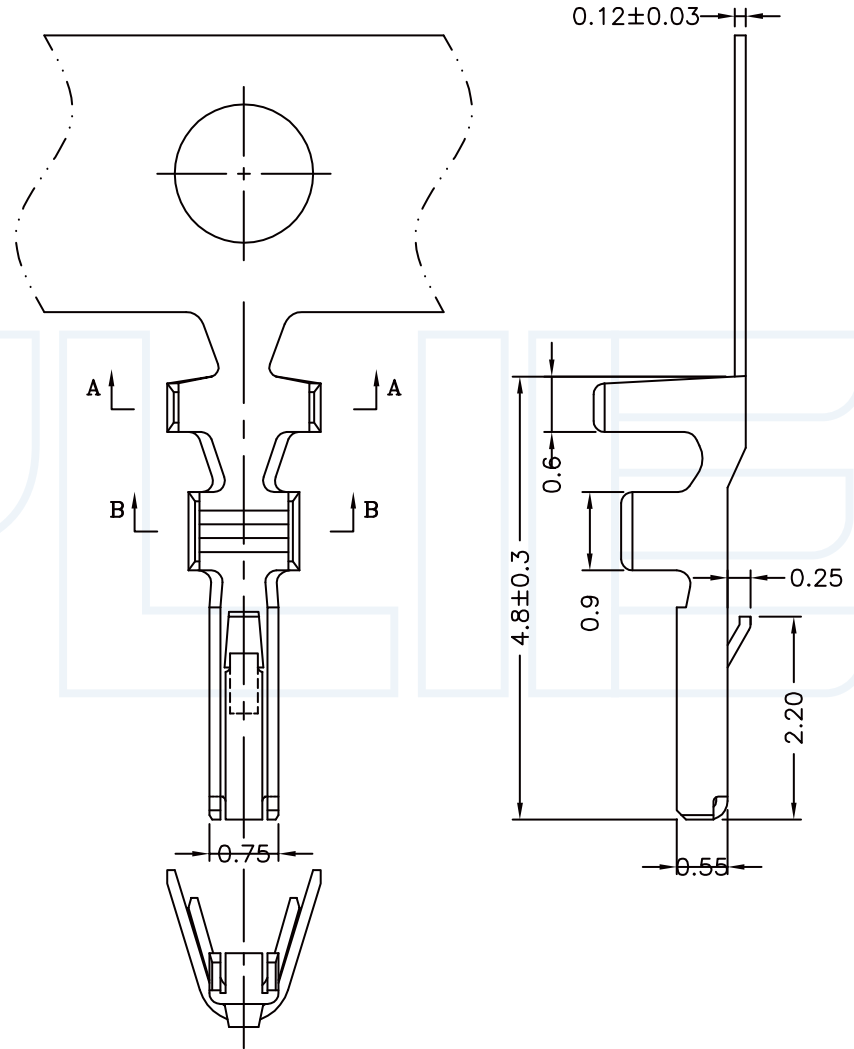
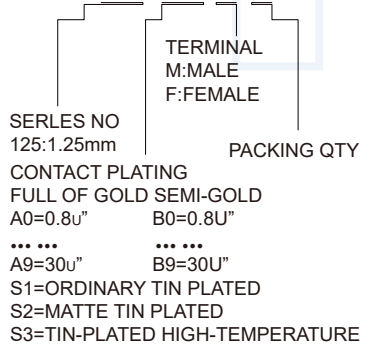
Specifications/备注 (Remark)

1-材料 (MATERIAL)
 端子: 磷青铜
 Contact: Phosphor bronze

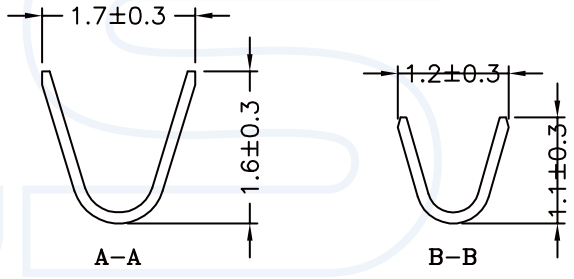
2-特性 (characteristics):
 额定电压: 125V AC/DC .
 Voltage Rating: 125V AC/DC .
 额定电流: 1 AMP (AWG #28-30) .
 Raring Current: 1 AMP (AWG #28-30) .
 接触阻抗: ≤20mΩ MAX.
 Contact Resistance: ≤20mΩ MAX .
 绝缘阻抗: ≥100MΩMIN.
 Insulating Resistance: ≥100MΩMIN.
 耐电压: 250V AC/MINUTE
 Withstanding Voltage: 250V AC/MINUTE
 温度范围: -25度至+85度
 Temperture Range: -25°Cto +85°C

ORDERING INFORMATION

T125- XX X X



Notes:
 1. MATERIAL: 0.120 mm PHOSPHOR BRONZE
 JIS C5191H, HV 200±5°
 2. Finished: Tin-plating
 3. Applicable wire: AWG.#26~#30



7

YLIES 东莞市瑞翔精密连接器有限公司
 DONG GUAN YLIES PRECISE CONNECTOR CO.,LTD

TITLE 354-1.25mm 端子-C DATE 2018-02-18

Tel:0769-85381995 / Fax:0769-85493987 / Email: ylies@ylies.cn / Web:www.ylies.cn

PROJECTON REV A UNIT mm SCALE 1:1 PAGE 1/1 PART NO: T125-S1XC DRAWING NO:

1 2 3 4 5 6 7 8 9