

ANGLE	± 5°	REV	LOCAS	DESCRIPTION	DESIGN	DATE	卫国峰
X.XXX	± 0.05	01			DRAWN	DATE	尚伟
X.XX	± 0.15	02			CHECKED	DATE	吴汉学
X.X	± 0.25	03			AUDITED	DATE	龚劲松
X	± 0.50	04			APPROVED	DATE	eric

### Specifications/备注 (Remark)

**1-材料 (MATERIAL)**  
 胶芯: PA9T UL94V-0  
 Housing: PA9T UL94V-0  
 端子(焊片): 磷青铜  
 Contact (Solder Tab): Phosphor bronze

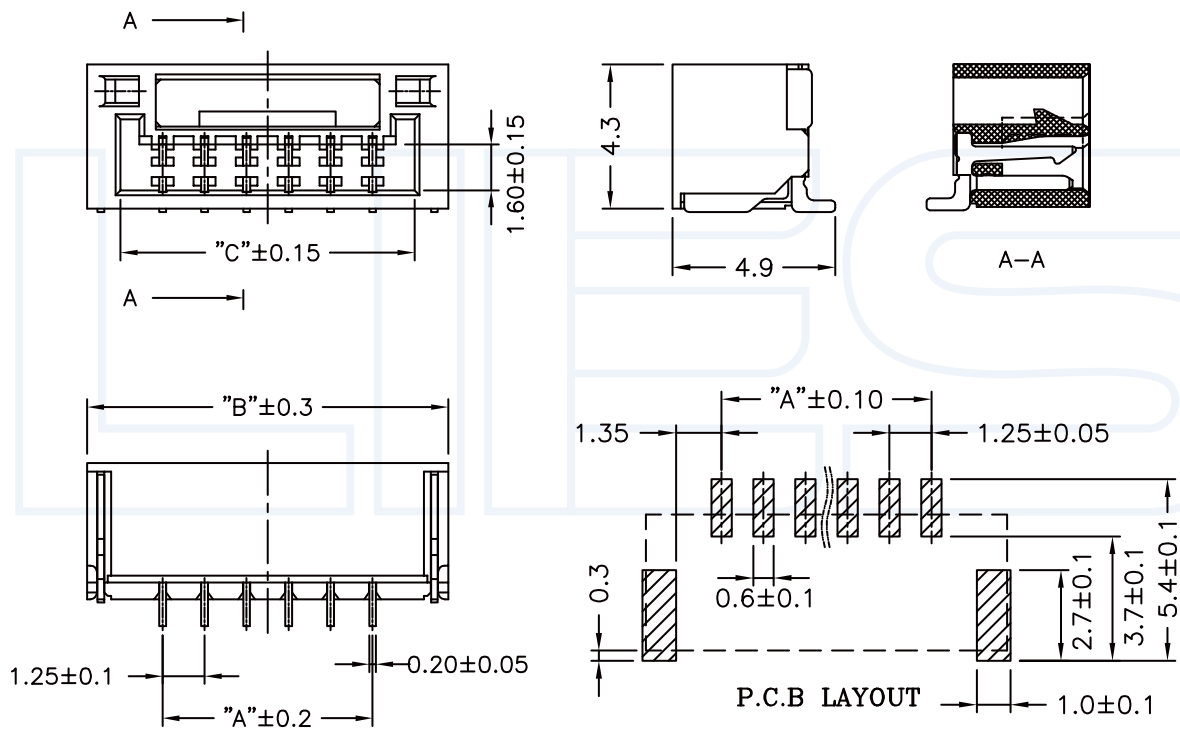
**2-特性 (characteristics):**  
 额定电压: 50V AC/DC  
 Voltage Rating: 50V AC/DC  
 额定电流: 1 AMP (AWG #26-30)  
 Raring Current: 1 AMP (AWG #26-30)  
 接触阻抗: ≤30mΩ MAX.  
 Contact Resistance: ≤30mΩ MAX.  
 绝缘阻抗: ≥100MΩMIN.  
 Insulating Resistance: ≥100MΩMIN.  
 耐电压: 500V AC/MINUTE  
 Withstanding Voltage: 500V AC/MINUTE  
 温度范围: -25度至+85度  
 Temperature Range: -25°C to +85°C

Poles	DIM.A	DIM.B	DIM.C
2P	1.25	5.75	3.75
3P	2.50	7.00	5.00
4P	3.75	8.25	6.25
5P	5.00	9.50	7.50
6P	6.25	10.75	8.75
7P	7.50	12.00	10.00
8P	8.75	13.25	11.25
9P	10.00	14.50	12.50
10P	11.25	15.75	13.75
11P	12.50	17.00	15.00
12P	13.75	18.25	16.25
13P	15.00	19.50	17.50
14P	16.25	20.75	18.75
15P	17.50	22.00	20.00

### ORDERING INFORMATION

#### W125-XX XX X XX X

NO.OF PINS Per Row 02-15P	INSULATOR MATERIAL A:PA46 B:PA66 C:PA9T D:LCP	PACKING A:PE Bag B:TUBE C:TRAY
SERLES NO 125:1.25mm	CONTACT PLATING FULL OF GOLD SEMI-GOLD A0=0.8U" B0=0.8U"	CONTACT SHAPE LT:STRAIGHT SMT WT:RIGHT ANGLE SME
A9=30U" B9=30U"	S1=ORDINARY TIN PLATED S2=MATTE TIN PLATED S3=TIN-PLATED HIGH-TEMPERATURE	



7

**YLIES** 东莞市瑞翔精密连接器有限公司  
 DONG GUAN YLIES PRECISE CONNECTOR CO.,LTD

TITLE: 352-1.25mm 卧贴 单排插针  
 DATE: 2018-02-18

Tel:0769-85381995 / Fax:0769-85493987 / Email: ylies@ylies.cn / Web:www.ylies.cn

PROJECTON REV A UNIT mm SCALE 1:1 PAGE 1/1

PART NO: W125-XXS1CWTB DRAWING NO: