

1 2 3 4 5 6 7 8 9

ANGLE	± 5°	REV	LOCAS	DESCRIPTION	DESIGN	DATE	卫国峰
X.XXX	± 0.05	01			DRAWN	DATE	尚伟
X.XX	± 0.15	02			CHECKED	DATE	吴汉学
X.X	± 0.25	03			AUDITED	DATE	龚劲松
X	± 0.50	04			APPROVED	DATE	eric

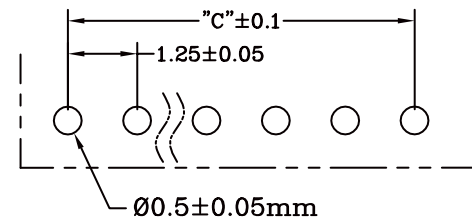
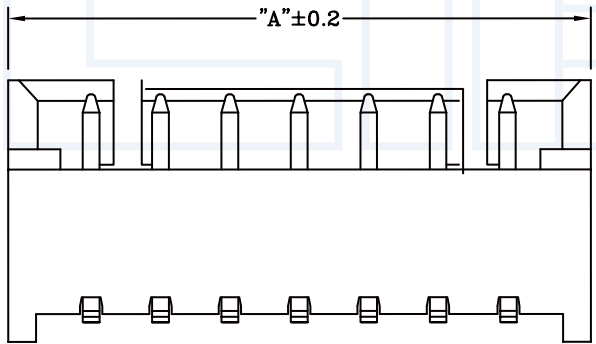
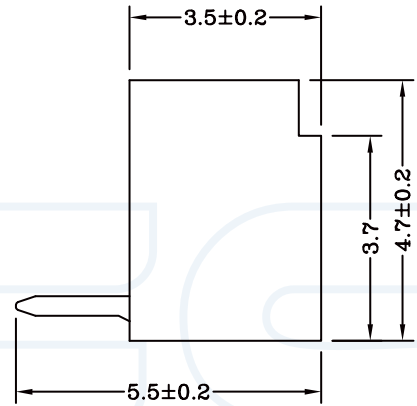
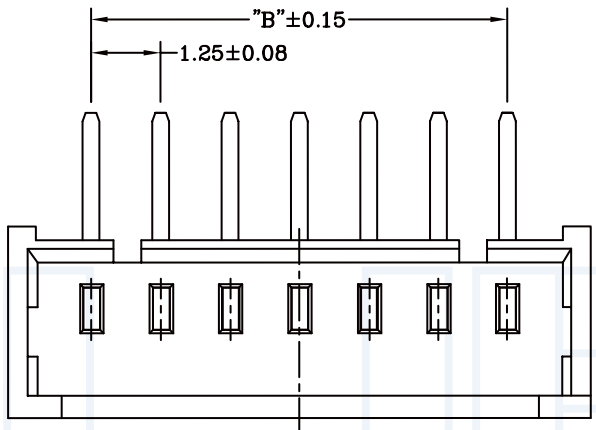
Specifications/备注 (Remark)

1-材料 (MATERIAL)
 胶芯: PA9T UL94V-0
 Housing: PA9T UL94V-0
 端子: 磷青铜
 Contact: Phosphor bronze

2-特性 (characteristics):
 额定电压: 50V AC/DC .
 Voltage Rating: 50V AC/DC .
 额定电流: 1 AMP (AWG #28-32) .
 Raring Current: 1 AMP (AWG #28-32) .
 接触阻抗: ≤20mΩ MAX.
 Contact Resistance: ≤20mΩ MAX.
 绝缘阻抗: ≥100MΩMIN.
 Insulating Resistance: ≥100MΩMIN.
 耐电压: 500V AC/MINUTE
 Withstanding Voltage: 500V AC/MINUTE
 温度范围: -25度至+85度
 Temperature Range: -25°C to +85°C

ORDERING INFORMATION
W125-XX XX X XX X

NO. OF PINS Per Row 02-16P	INSULATOR MATERIAL A: PA46 B: PA66 C: PA9T D: LCP	PACKING A: PE Bag B: TUBE C: TRAY
SERLES NO 125: 1.25mm	CONTACT PLATING FULL OF GOLD SEMI-GOLD A0=0.8u" B0=0.8u" A9=30u" B9=30u" S1=ORDINARY TIN PLATED S2=MATTE TIN PLATED S3=TIN-PLATED HIGH-TEMPERATURE	CONTAQL SHAPE S: Straight R: Right Angle LT: STRAIGHT SMT WT: RIGHT ANGLE SME



No. of Contacts	DIMENSIONS	
	DIM A	DIM B
2A	4.25	1.25
3A	5.50	2.50
4A	6.75	3.75
5A	8.00	5.00
6A	9.25	6.25
7A	10.50	7.50
8A	11.75	8.75
9A	13.00	10.00
10A	14.25	11.25
11A	15.50	12.50
12A	16.75	13.75
13A	18.00	15.00
14A	19.25	16.25
15A	20.50	17.50
16A	21.75	18.75

YLIES 东莞市瑞翔精密连接器有限公司
 DONG GUAN YLIES PRECISE CONNECTOR CO.,LTD

TITLE: 341-1.25mm 单排插针90度 DATE: 2018-02-18

Tel: 0769-85381995 / Fax: 0769-85493987 / Email: ylies@ylies.cn / Web: www.ylies.cn

PROJECTON	REV A	UNIT mm	SCALE 1:1	PAGE 1/1
-----------	-------	---------	-----------	----------

PART NO: W125-XXXXARB DRAWING NO:

1 2 3 4 5 6 7 8 9