

ANGLE	± 5°	REV	LOCAS	DESCRIPTION	DESIGN	DATE	卫国峰
X.XXX	± 0.05	01			DRAWN	DATE	尚伟
X.XX	± 0.15	02			CHECKED	DATE	吴汉学
X.X	± 0.25	03			AUDITED	DATE	龚劲松
X	± 0.50	04			APPROVED	DATE	eric

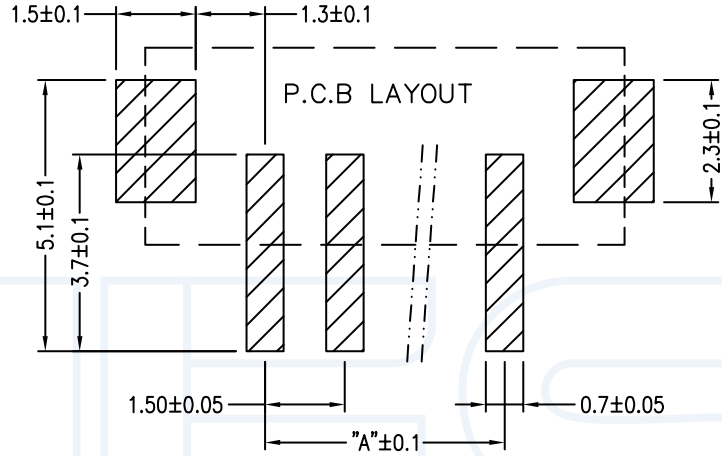
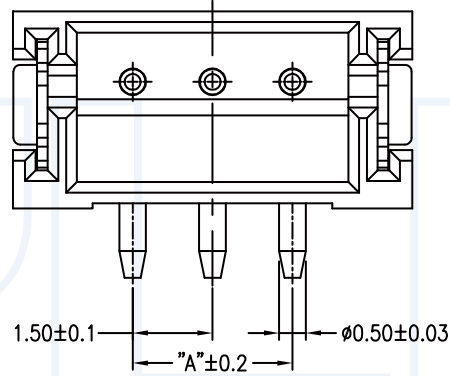
**Specifications/备注 (Remark)**

**1-材料 (MATERIAL)**

胶芯: PA9T UL94V-0  
Housing: PA9T UL94V-0  
端子(焊片): 黄铜(磷青铜)  
Contact (Solder Tab): Brass (Phosphor bronze)

**2-特性 (characteristics):**

额定电压: 50V AC/DC .  
Voltage Rating: 50V AC/DC .  
额定电流: 1 AMP (AWG #26-32) .  
Raring Current: 1 AMP (AWG #26-32) .  
接触阻抗: ≤20mΩ MAX.  
Contact Resistance: ≤20mΩ MAX.  
绝缘阻抗: ≥500MΩMIN.  
Insulating Resistance: ≥500MΩMIN.  
耐电压: 500V AC/MINUTE  
Withstanding Voltage: 500V AC/MINUTE  
温度范围: -25度至+85度  
Temperature Range: -25°Cto +85°C

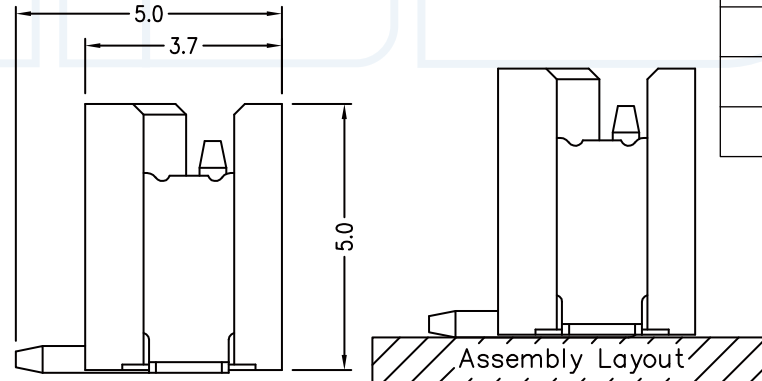
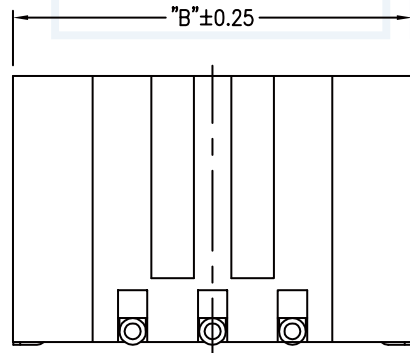


Poles	DIM. A	DIM. B
2	1.5	6.0
3	3.0	7.5
4	4.5	9.0
5	6.0	10.5
6	7.5	12.0
7	9.0	13.5
8	10.5	15.0
9	12.0	16.5
10	13.5	18.0
11	15.0	19.5
12	16.5	21.0
13	18.0	22.5
14	19.5	24.0
15	21.0	25.5
16	22.5	27.0

**ORDERING INFORMATION**

**W15-XX XX X XX X**

NO.OF PINS Per Row 02-16P	INSULATOR MATERIAL A:PA46 B:PA66 C:PA9T D:LCP	PACKING A:PE Bag B:TUBE C:TRAY
SERLES NO 15:1.5mm	CONTACT PLATING FULL OF GOLD SEMI-GOLD A0=0.8u" B0=0.8U"	CONTACT SHAPE LT:STRAIGHT SMT WT:RIGHT ANGLE SME
.....	.....	
A9=30u" B9=30U"		
S1=ORDINARY TIN PLATED		
S2=MATTE TIN PLATED		
S3=TIN-PLATED HIGH-TEMPERATURE		



**YLIES** 东莞市瑞翔精密连接器有限公司  
DONG GUAN YLIES PRECISE CONNECTOR CO.,LTD

Tel:0769-85381995 / Fax:0769-85493987 / Email: ylies@ylies.cn / Web:www.ylies.cn

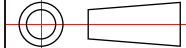
TITLE

357-1.5mm 立贴 单排插针

DATE

2018-02-18

PROJECTON



REV

A

UNIT

mm

SCALE

1:1

PAGE

1/1

PART NO:

W15-XXS1CLTB

DRAWING NO: