

1 2 3 4 5 6 7 8 9

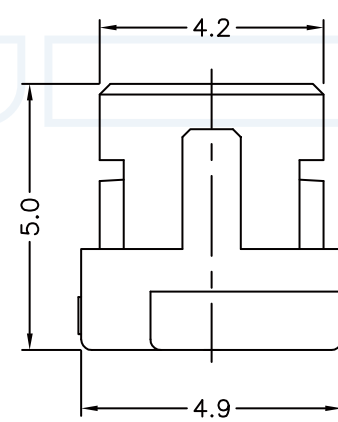
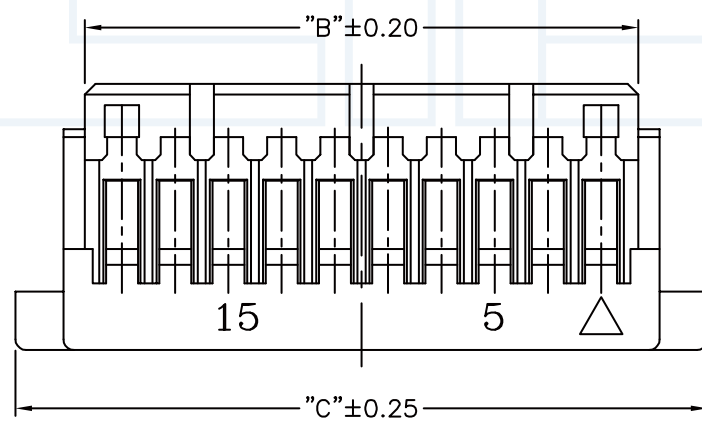
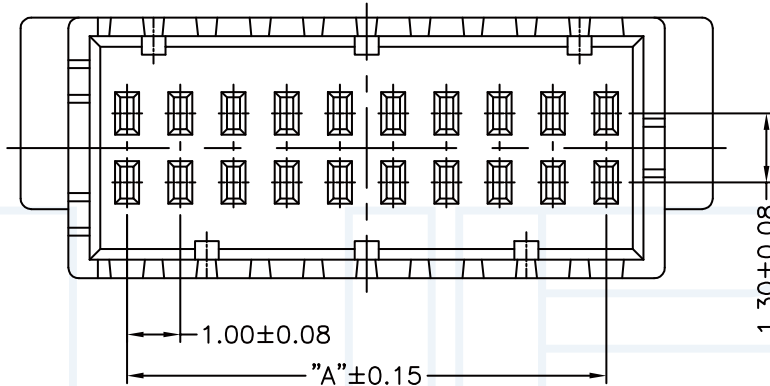
ANGLE	± 5°	REV	LOCAS	DESCRIPTION	DESIGN	DATE	卫国峰
X.XXX	± 0.05	01			DRAWN	DATE	尚伟
X.XX	± 0.15	02			CHECKED	DATE	吴汉学
X.X	± 0.25	03			AUDITED	DATE	龚劲松
X	± 0.50	04			APPROVED	DATE	eric

Poles	DIM.A	DIM.B	DIM.C
2×10P	9.0	10.4	13.0
2×15P	14.0	15.4	18.0
2×20P	19.0	20.4	23.0
2×25P	24.0	25.4	28.0

**Specifications/备注 (Remark)**

1-材料 (MATERIAL)  
 胶芯: PA66 UL94V-0  
 Housing: PA66 UL94V-0

2-特性 (characteristics):  
 额定电压: 50V AC/DC .  
 Voltage Rating: 50V AC/DC .  
 额定电流: 1 AMP (AWG #28-32) .  
 Rating Current: 1 AMP (AWG #28-32) .  
 接触阻抗: ≤20mΩ MAX.  
 Contact Resistance: ≤20mΩ MAX.  
 绝缘阻抗: ≥100MΩMIN.  
 Insulating Resistance: ≥100MΩMIN.  
 耐电压: 500V AC/MINUTE  
 Withstanding Voltage: 500V AC/MINUTE  
 温度范围: -25度至+85度  
 Temperature Range: -25°C to +85°C



**ORDERING INFORMATION**

**H 10-XX P XX**

NO.OF PINS Per Row 02-20P	INSULATOR MATERIAL A:PA46 B:PA66 C:PA9T D:LCP	PACKING A:PE Bag B:TUBE C:TRAY
SERLES NO 10:1.0mm	TYPE F=FEMALE M=MALE P=PIERCE	

1

**YLIES** 东莞市瑞翔精密连接器有限公司  
 DONG GUAN YLIES PRECISE CONNECTOR CO.,LTD

Tel:0769-85381995 / Fax:0769-85493987 / Email: ylies@ylies.cn / Web:www.ylies.cn

TITLE 336-1.0mm 胶壳双排 (SHD) -A DATE 2018-02-18

PROJECTON REV A UNIT mm SCALE 1:1 PAGE 1/1

PART NO: H10-XXPBA DRAWING NO:

1 2 3 4 5 6 7 8 9