

1 2 3 4 5 6 7 8 9

ANGLE	± 5°	REV	LOCAS	DESCRIPTION	DESIGN	DATE	卫国峰
X.XXX	± 0.05	01			DRAWN	DATE	尚伟
X.XX	± 0.15	02			CHECKED	DATE	吴汉学
X.X	± 0.25	03			AUDITED	DATE	龚劲松
X	± 0.50	04			APPROVED	DATE	eric

Poles	DIM.A	DIM.B
2P	1.5	4.5
3P	3.0	6.0
4P	4.5	7.5
5P	6.0	9.0
6P	7.5	10.5
7P	9.0	12.0
8P	10.5	13.5
9P	12.0	15.0
10P	13.5	16.5
11P	15.0	18.0
12P	16.5	19.5
13P	18.0	21.0
14P	19.5	22.5
15P	21.0	24.0
16P	22.5	25.5

Specifications/备注 (Remark)

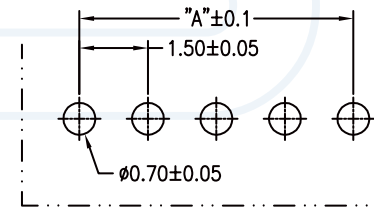
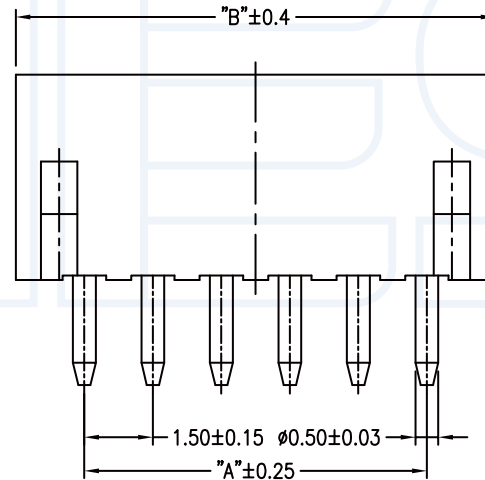
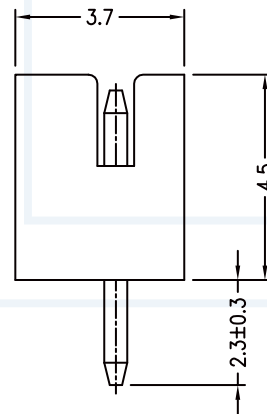
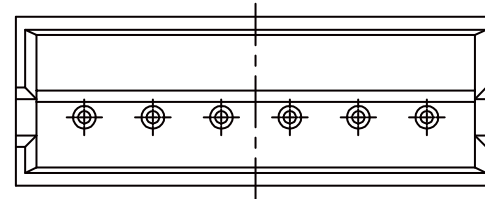
1-材料 (MATERIAL)
 胶芯: PA46 UL94V-0
 Housing:PA46 UL94V-0
 端子: 磷青铜
 Contact: Phosphor bronze

2-特性 (characteristics):
 额定电压: 50V AC/DC .
 Voltage Rating:50V AC/DC .
 额定电流: 1 AMP (AWG #28-32) .
 Raring Current:1 AMP (AWG #28-32) .
 接触阻抗: ≤20mΩ MAX.
 Contact Resistance:≤20mΩ MAX.
 绝缘阻抗: ≥100MΩMIN.
 Insulating Resistance:≥100MΩMIN.
 耐电压: 500V AC/MINUTE
 Withstanding Voltage:500V AC/MINUTE
 温度范围: -25度至+85度
 Temperature Range: -25°Cto +85°C

ORDERING INFORMATION

W15-XX XX X XX X

NO.OF PINS Per Row 02-16P	INSULATOR MATERIAL A:PA46 B:PA66 C:PA9T D:LCP	PACKING A:PE Bag B:TUBE C:TRAY
SERLES NO 15:1.5mm	CONTACT PLATING FULL OF GOLD SEMI-GOLD A0=0.8u" B0=0.8U" A9=30u" B9=30U" S1=ORDINARY TIN PLATED S2=MATTE TIN PLATED S3=TIN-PLATED HIGH-TEMPERATURE	CONTACTL SHAPE S: Straight R: Right Angle LT: STRAIGHT SMT WT: RIGHT ANGLE SME



P.C.B LAYOUT

YLIES 东莞市瑞翔精密连接器有限公司
 DONG GUAN YLIES PRECISE CONNECTOR CO.,LTD

Tel:0769-85381995 / Fax:0769-85493987 / Email: ylies@ylies.cn / Web:www.ylies.cn

TITLE 355-1.5mm 单排插针180度 (ZH)

DATE 2018-02-18

PROJECTON REV A UNIT mm SCALE 1:1 PAGE 1/1

PART NO: W15-06S1ASB

DRAWING NO:

1 2 3 4 5 6 7 8 9