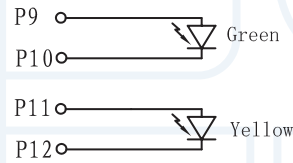
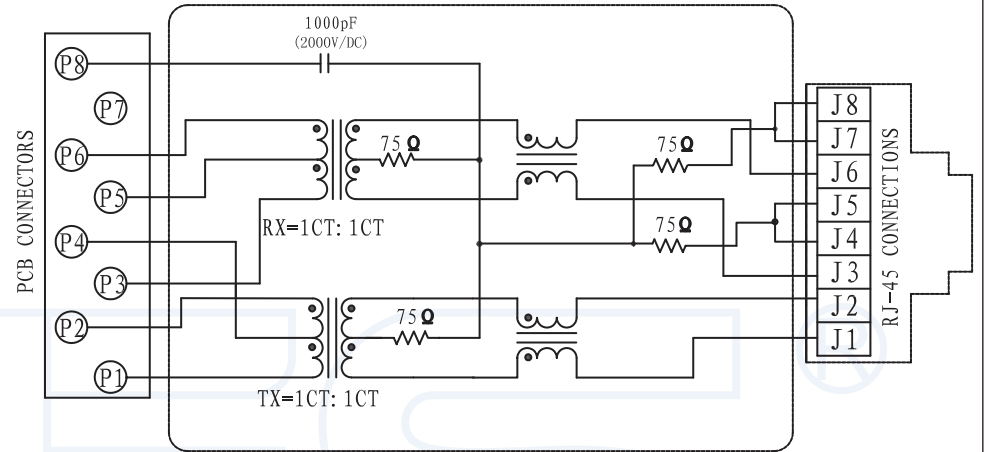
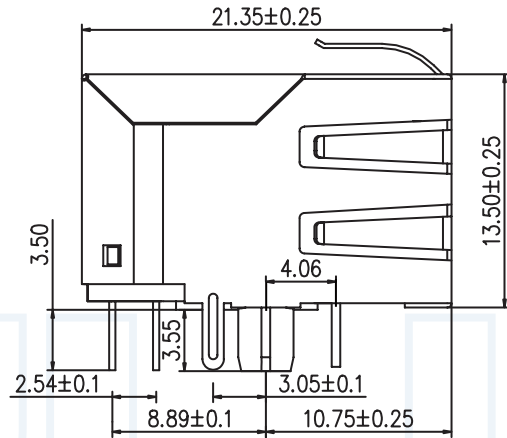
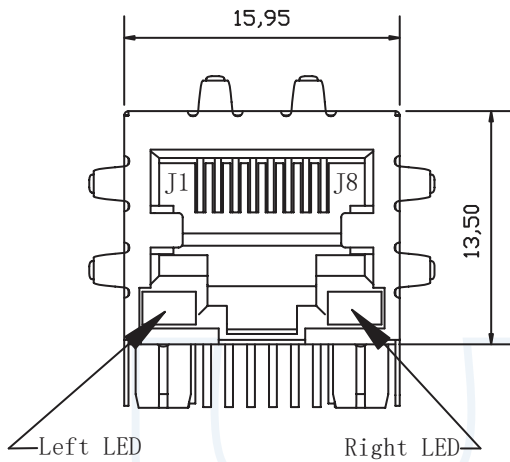
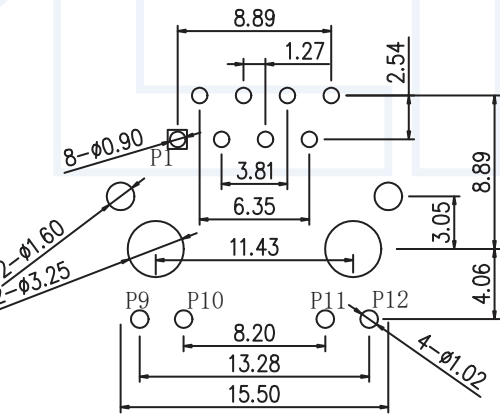


ANGLE	± 5°	REV	LOCAS	DESCRIPTION	DESIGN	DATE	卫国峰
X.XXX	± 0.05	01			DRAWN	DATE	尚伟
X.XX	± 0.15	02			CHECKED	DATE	吴汉学
X.X	± 0.25	03			AUDITED	DATE	龚劲松
X	± 0.50	04			APPROVED	DATE	eric

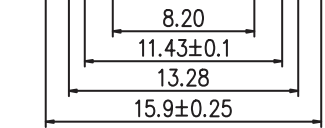


1 Port RJ-45 Jack With 10/100 Base-T Magnetics Module

- 4.1. Connector Material:
 Housing:Thermoplastic UL94 V-0
 Contact/Shield:Cooper alloy
 Shield Plating:Nickel
 Contact Plating:Selective gold 6u" Min
- 4.2.Tolerances comply with F.C.C dimension requirements
- 4.3.Durability:800 mating Min



P. C. B RECOMMENDED HOLE LAYOUT SEEN FROM COMPONENT SIDE.
 ALL CENTERLINE DIMENSIONS ARE BASIC



YLIES 东莞市瑞翔精密连接器有限公司
 DONG GUAN YLIES PRECISE CONNECTOR CO.,LTD

Tel:0769-85381995 / Fax:0769-85493987 / Email: ylies@ylies.cn / Web:www.ylies.cn

PROJECTON		REV	UNIT	SCALE	PAGE
		A	mm	1:1	1/1

TITLE	312-RJ45插座 带灯带弹	DATE	2018-02-18
-------	-----------------	------	------------

PART NO:	RJ-1104D1009	DRAWING NO:	
----------	--------------	-------------	--