

ANGLE	± 5°	REV	LOCAS	DESCRIPTION	DESIGN	DATE	卫国峰
X.XXX	± 0.05	01			DRAWN	DATE	尚伟
X.XX	± 0.15	02			CHECKED	DATE	吴汉学
X.X	± 0.25	03			AUDITED	DATE	龚劲松
X	± 0.50	04			APPROVED	DATE	eric

NOTES:

ELECTRICAL:

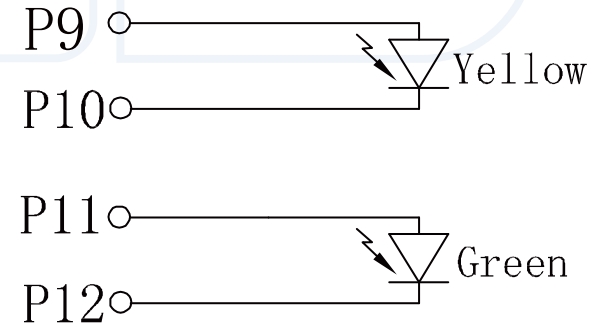
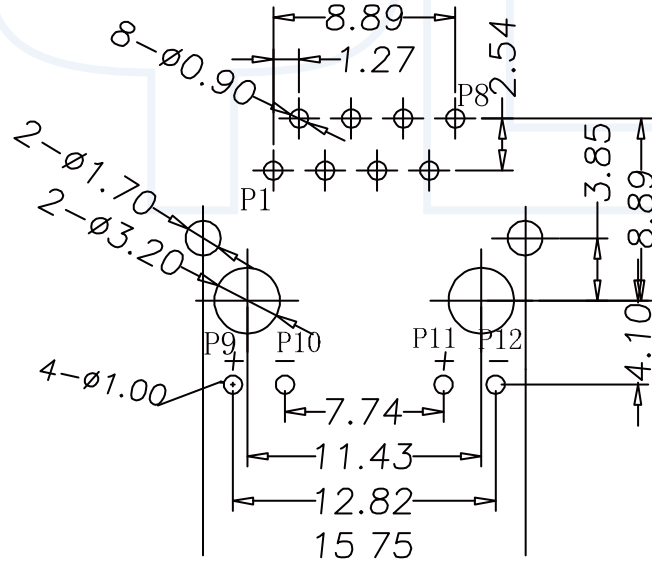
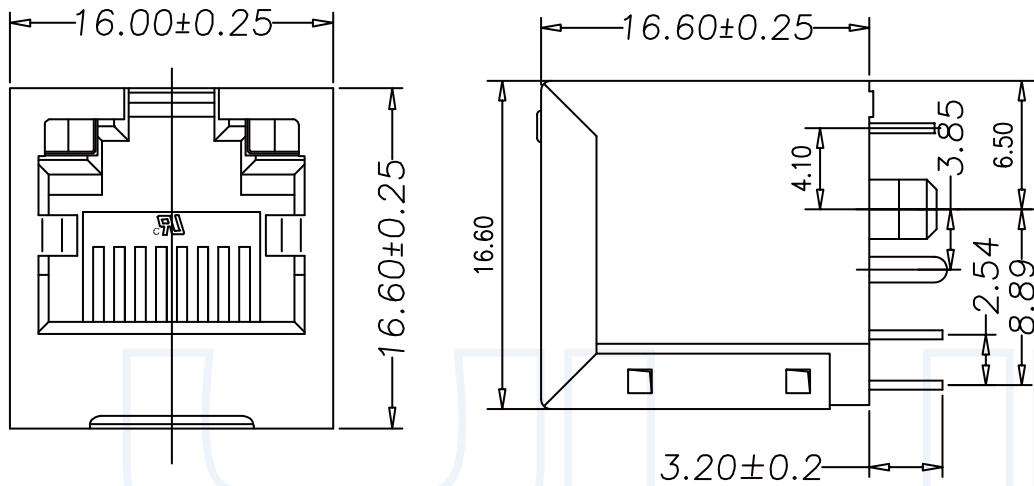
- 1. VOLTAGE RATING : 125 VAC RMS.
- 2. CURRENT RATING : 1.5 AMP.
- 3. CONTACT RESISTANCE : 30 MILLIOHMSMAX
- 4. INSULATION RESISTANCE : 500 MEGOHMS MIN @ 500 NDC.
- 5. DIELECTRIC STRENGTH : 1000 VAC RMS 50Hz or 60Hz, 1MIN.

MECHANICAL:

- 1. HOUSING & INSERT MATERIAL : PBT UL94V-0.
- 2. CONTACT MATERIAL : DIAMETER 0.45MM PHOSPHOR BRONZE GOLD PLATING OVER NICKEL.
- 3. SHIELD : 0.20~0.25MM THICKNESS BRASS WITH NI PLATED.
- 4. MATING/UNMATING FORCE : 2.2KG.F MAX.
- 5. RETENTION STRENGTH : 7.7KG.F MIN BETWEEN JACK AND PLUG.
- 6. OPERATING LIFE : 600 CYCLES MIN.

ENVIRONMENTAL:

- 1. STORAGE : -40°C ~ +85°C REACTIVE HUMIDITY < 70%
- 2. OPERATTON : -40°C ~ +85°C



YL-251-30-4 1U"/3U"/6U"/15U"/30U"/50U"

YLIES 东莞市瑞翔精密连接器有限公司
DONG GUAN YLIES PRECISE CONNECTOR CO.,LTD

Tel:0769-85381995 / Fax:0769-85493987 / Email: ylies@ylies.cn / Web:www.ylies.cn

PROJECTON  REV A UNIT mm SCALE 1:1 PAGE 1/1

TITLE

303-RJ45插座带灯左黄右绿

DATE

2018-02-18

PART NO:

RJ-251-30-4

DRAWING NO: