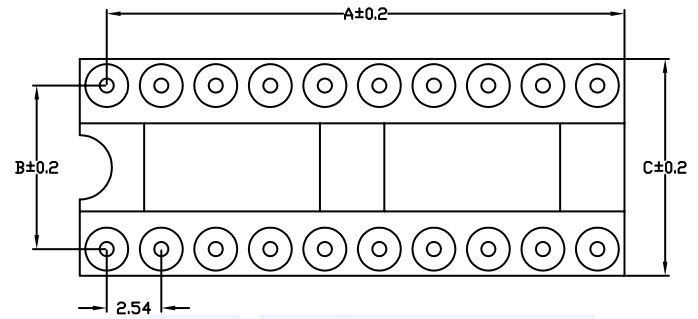


ANGLE	± 5°	REV	LOCAS	DESCRIPTION	DESIGN	DATE	卫国峰
X.XXX	± 0.05	01			DRAWN	DATE	尚伟
X.XX	± 0.15	02			CHECKED	DATE	吴汉学
X.X	± 0.25	03			AUDITED	DATE	龚劲松
X	± 0.50	04			APPROVED	DATE	eric

Specifications/备注 (Remark)

1-材料 (MATERIAL)
 胶芯: PPS+30%G. UL94V-0, 颜色: 黑色
 Housing: PPS+30%G. UL94V-0, Color: Black
 端子: 黄铜
 Contact: Brass CuZn 36Pb3(C3600)
 相配针: ϕ 0.44 / ϕ 0.47 / ϕ 0.60 / ϕ 0.64mm
 Connecting Pin: ϕ 0.44 / ϕ 0.47 / ϕ 0.60 / ϕ 0.64mm

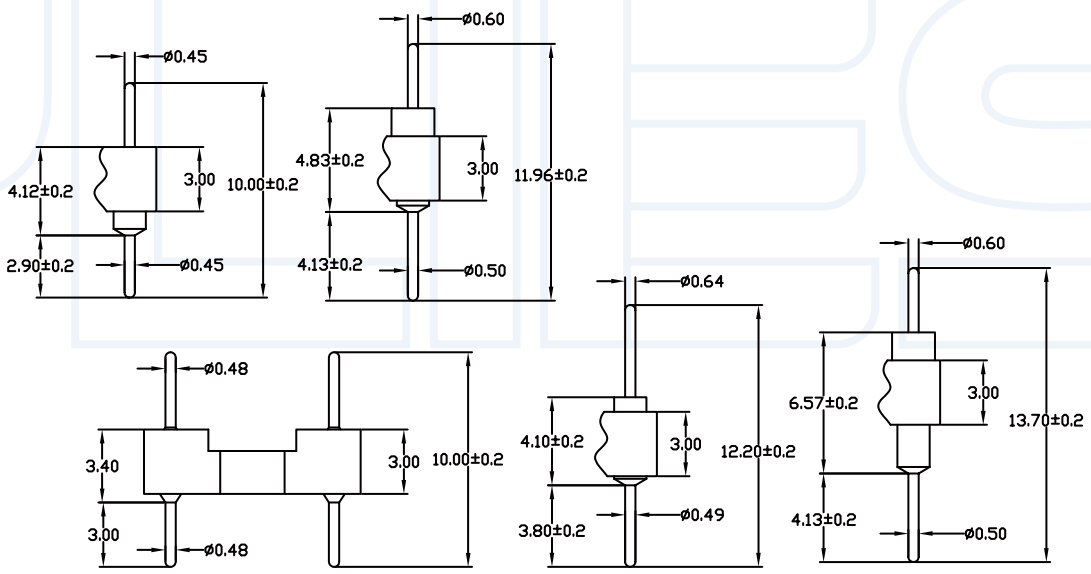
2-特性 (characteristics):
 额定电流: 1.00 AMP
 Raring Current: 1.00 AMP .
 接触阻抗: 10m Ω MAX.
 Contact Resistance: 10m Ω MAX .
 绝缘强度: MIN 1000V RMS.
 Dielectric Strength: MIN 1000V RMS.



See page	No. of Positions	A	B	C
fig. 1	6	7.6	7.62	10.1
fig. 2	8	10.1	7.62	10.1
fig. 3	10	12.6	7.62	10.1
fig. 4	12	15.2	7.62	10.1
fig. 5	14	17.7	7.62	10.1
fig. 6	16	20.3	7.62	10.1
fig. 7	18	22.8	7.62	10.1
fig. 8	20	25.3	7.62	10.1
fig. 9	22	27.8	7.62	10.1
fig. 10	24	30.4	7.62	10.1
fig. 11	28	35.5	7.62	10.1
fig. 12	20	25.4	10.16	12.6
fig. 13	22	27.8	10.16	12.6
fig. 14	24	30.4	10.16	12.6
fig. 15	28	35.5	10.16	12.6
fig. 16	32	40.6	10.16	12.6
fig. 17	24	30.5	15.24	17.7
fig. 18	28	35.5	15.24	17.7
fig. 19	32	40.6	15.24	17.7
fig. 20	36	45.7	15.24	17.7
fig. 21	40	50.8	15.24	17.7
fig. 22	42	53.3	15.24	17.7
fig. 23	48	60.9	15.24	17.7
fig. 24	50	63.5	15.24	17.7
fig. 25	52	66.0	15.24	17.7
fig. 26	50	63.5	22.86	25.3
fig. 27	52	66.0	22.86	25.3
fig. 28	64	82.1	22.86	25.3

ORDERING INFORMATION
R2630-2 XX X XA S XXX C 1

HEIGHT OF HOUSING: 30:3.0mm	NO. OF ARRAY PITCH 0:NO PITCH 4:7.62mm 5:10.16mm 6:15.24mm 7:22.86mm	CONTACT PLATING A=1U" B=2U" ... E=15U" F=30U" S=ORDINARY TIN PLATED H=HALF GOLD PLATED TIN	LENGTH OF TERMINAL 100:10.00mm 119:11.96mm 122:12.20mm 137:13.70mm
--------------------------------	---	---	--



东莞市瑞翔精密连接器有限公司 DONG GUAN YLIES PRECISE CONNECTOR CO.,LTD Tel:0769-85381995 / Fax:0769-85493987 / Email: ylies@ylies.cn / Web:www.ylies.cn	TITLE	283-2.54mm IC 圆孔排针 180度			DATE	2018-02-18	
	PROJECTON	REV	UNIT	SCALE	PAGE	PART NO:	R2630-2XXXXASXXXC1