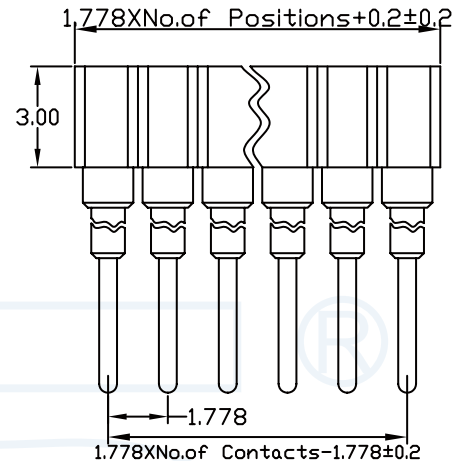
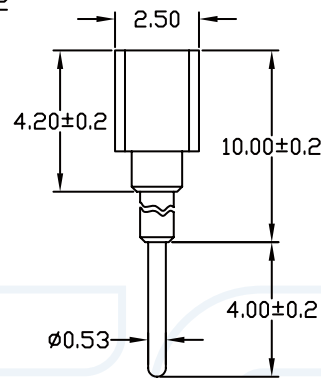
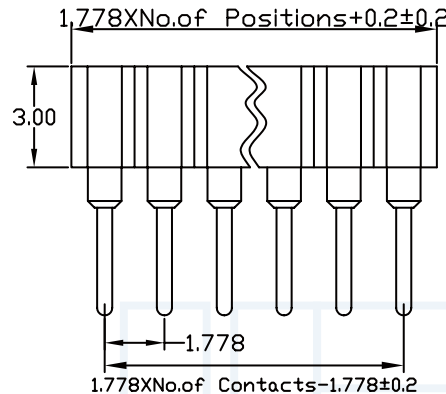
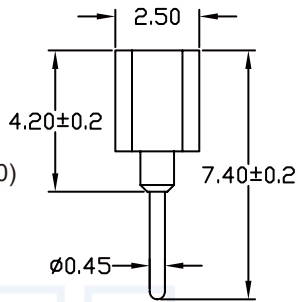


1 2 3 4 5 6 7 8 9

ANGLE	± 5°	REV	LOCAS	DESCRIPTION	DESIGN	DATE	卫国峰
X.XXX	± 0.05	01			DRAWN	DATE	尚伟
X.XX	± 0.15	02			CHECKED	DATE	吴汉学
X.X	± 0.25	03			AUDITED	DATE	龚劲松
X	± 0.50	04			APPROVED	DATE	eric

Specifications/备注 (Remark)

Insulator:Black glass filled polyester
 PPS-GF30-FR
 Flammability:UL94V-0
 Sleeve:Brass CuZn 36Pb3(36000)
 Contact clip(4 finger):Beryllium copper(C17200)
 Mating pin:Ø0.70 to 0.90mm or 0.635mmSQ
 Forces:(polished steel gauge Ø0.76mm)
 Insertion:1.2 N typ
 Withdrawal:0.6 N typ
 Mechancial life:min 500 cycles
 Rated current:3.0Amp
 Contact resistance:Max 10mΩ
 Dielectric resistance:Min 1000V RMS



ORDERING INFORMATION
R2430-1 XX 0 XG S XXX 1

HEIGHT OF HOUSING:
 38:3.8mm
 41:4.1mm

NO. OF ROWS:
 1:SINGLE ROW

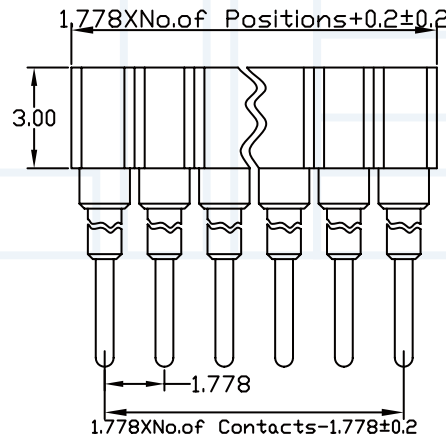
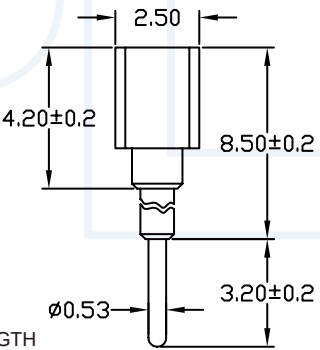
NO. OF PINS PER ROW:
 02-32P

NO. OF ARRAY PITCH:
 0:NO PITCH

CONTACT PLATING LENGTH OF TERMINAL:
 A=1U" 074:7.40mm
 B=2U" 117:11.7mm

 E=15U" 140:14.0mm
 F=30U" 140:14.0mm
 S=ORDINARY TIN PLATED
 H=HALF GOLD PLATED TIN

INSULATOR MATERIAL:
 G:PPS



Stright socket connector:single row grid spacing 1.778mm
 Availability from:2 to 32 contacts
 Standard number of contacts 21 and 32

Stright socket connector elevated:single row grid spacing 1.778mm
 Availability from:2 to 32 contacts
 Standard number of contacts 21 and 32

Stright socket connector:single row grid spacing 1.778mm
 Availability from:2 to 32 contacts
 Standard number of contacts 32

YLIES 东莞市瑞翔精密连接器有限公司
 DONG GUAN YLIES PRECISE CONNECTOR CO.,LTD

Tel:0769-85381995 / Fax:0769-85493987 / Email: ylies@ylies.cn / Web:www.ylies.cn

TITLE 266-1.778mm 单排圆孔排母 180度 DATE 2018-02-18

PROJECTON REV A UNIT mm SCALE 1:1 PAGE 1/1

PART NO: R2430-1XX0XGSXXX1 DRAWING NO:

1 2 3 4 5 6 7 8 9