

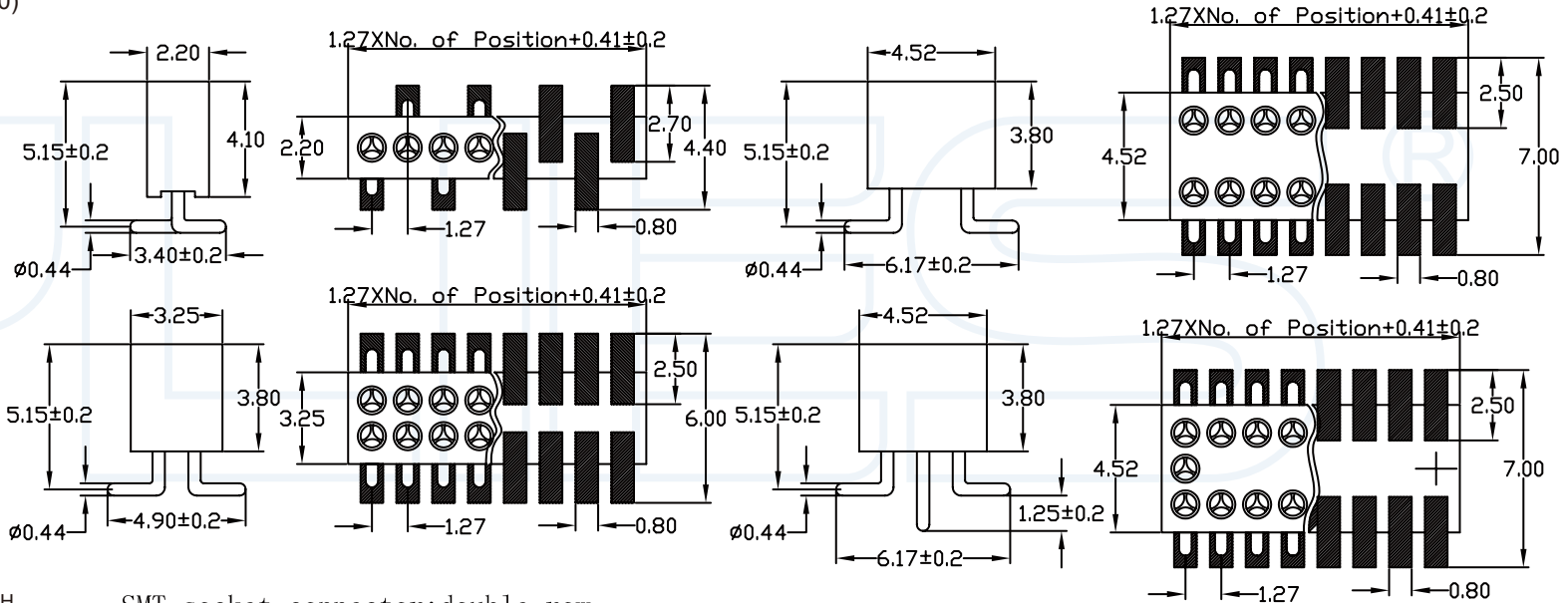
ANGLE	± 5°	REV	LOCAS	DESCRIPTION	DESIGN	DATE	卫国峰
X.XXX	± 0.05	01			DRAWN	DATE	尚伟
X.XX	± 0.15	02			CHECKED	DATE	吴汉学
X.X	± 0.25	03			AUDITED	DATE	龚劲松
X	± 0.50	04			APPROVED	DATE	eric

Specifications/备注 (Remark)

Insulator:Black glass filled polyester
 PPS-GF30-FR
 Fiammability:UL94V-0
 Sleeve:Brass CuZn 36Pb3(36000)
 Contact clip(4 finger):Beryllium copper(C17200)
 Mating pin:Ø0.70 to 0.90mm or 0.635mmSQ
 Forces:(polished steel gauge Ø0.76mm)
 Insertion:1.2 N typ
 Withdrawal:0.6 N typ
 Mechancial life:min 500 cycles
 Rated current:3.0Amp
 Contact resistance:Max 10mΩ
 Dielectric resistance:Min 1000V RMS

SMT socket connector:single row
 perpendicular mount
 Availability from:3 to 50 contacts
 Standard number of contacts 25 and
 50

SMT socket connector:single row
 perpendicular mount
 Availability from:4 to 100 contacts
 Standard number of contacts 50 and
 100



ORDERING INFORMATION
R23XX-X XX X XG M 064 1

HEIGHT OF HOUSING:
 38:3.8mm
 41:4.1mm

NO.OF ARRAY PITCH
 0:NO PITCH
 1:1.27
 3:2.54

INSULATOR MATERIAL:
 G:PPS

NO.OF ROW:
 1:SINGLE ROW
 2:DUAL ROW
 3:THREE ROW

NO.OF PINS PER ROW:
 02-50P

CONTACT PLATING
 A=1U"
 B=2U"

 E=15U"
 F=30U"
 S=ORDINARY TIN PLATED
 H=HALF GOLD PLATED TIN

LENGTH OF TERMINAL

SMT socket connector:double row
 with 2.54mm rowto row distance
 perpendicular mount
 Availability from:4 to 100 contacts
 Standard number of contacts 100

SMT socket connector:double row
 with 2.54mm rowto row distance
 perpendicular mount with 2
 Availability from:4 to 100 contacts
 Standard number of contacts 100

东莞市瑞翔精密连接器有限公司 DONG GUAN YLIES PRECISE CONNECTOR CO.,LTD Tel:0769-85381995 / Fax:0769-85493987 / Email: ylies@ylies.cn / Web:www.ylies.cn	TITLE	265-1.27mm 圆孔排母SMT 及带定位柱			DATE	2018-02-18		
	PROJECTON	REV	UNIT	SCALE	PAGE	PART NO:	R23XX-XXXXXGM0641	DRAWING NO: