

ANGLE	± 5°	REV	LOCAS	DESCRIPTION	DESIGN	DATE	卫国峰
X.XXX	± 0.05	01			DRAWN	DATE	尚伟
X.XX	± 0.15	02			CHECKED	DATE	吴汉学
X.X	± 0.25	03			AUDITED	DATE	龚劲松
X	± 0.50	04			APPROVED	DATE	eric

Specifications/备注 (Remark)

1-材料 (MATERIAL)

胶芯: PPS+30%G. UL94V-0, 颜色: 黑色
 Housing: PPS+30%G. UL94V-0, Color: Black
 端子: 黄铜

Contact: Brass CuZn 36Pb3 (C3600)

相配针: ϕ 0.47mm

Connecting Pin: ϕ 0.47mm

2-特性 (characteristics):

额定电流: 3.00 AMP

Raring Current: 3.00 AMP .

接触阻抗: 20m Ω MAX.

Contact Resistance: 20m Ω MAX .

绝缘强度: MIN 1000V RMS.

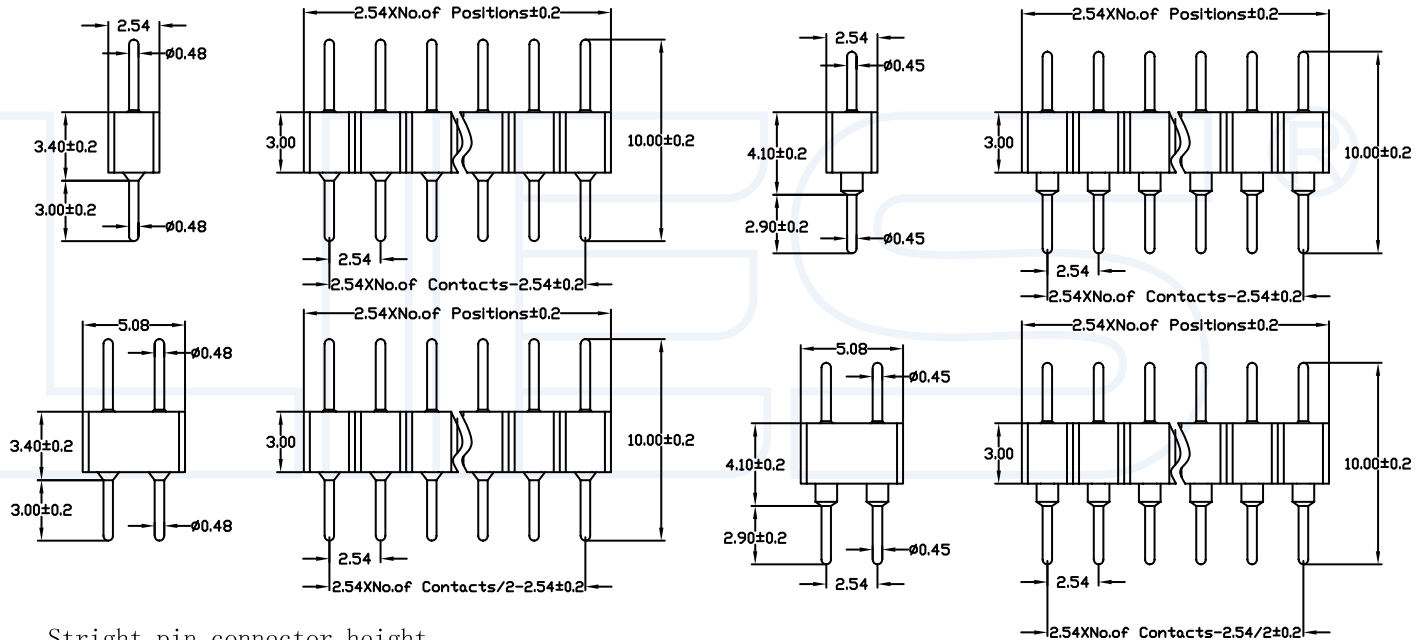
Dielectric Strength: MIN 1000V RMS.

Stright pin connector ultralow
 profile height3.0mm::solder tail
 single row

Availability from:1 to 40 contacts
 Standard number of contacts 5, 6, 8, 9,
 10, 11, 12, 14, 16, 17, 20, 25, 32 and 40

Stright pin connector ultralow
 profile height3.0mm:solder tail
 double row

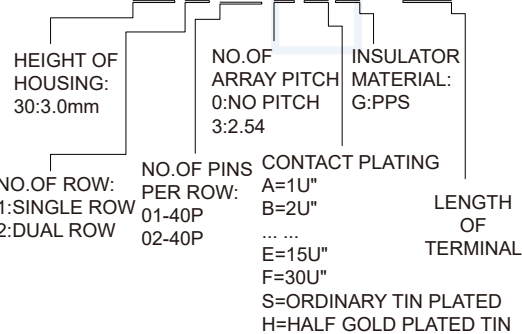
Availability from:2 to 80 contacts
 Standard number of contacts 20, 56
 60 and 72



Stright pin connector height
 4.1mm:solder tail, single row
 Availability from:1 to 40 contacts
 Standard number of contacts 5, 6, 8, 9,
 10, 11, 12, 14, 16, 17, 20, 25, 30, 32and 40

Stright pin connector height
 4.1mm:solder tail, double row
 Availability from:2 to 80 contacts
 Standard number of contacts 20, 56
 60 and 72

ORDERING INFORMATION R1630-X XX X XG S 1002



YLIES 东莞市瑞翔精密连接器有限公司
 DONG GUAN YLIES PRECISE CONNECTOR CO.,LTD

Tel:0769-85381995 / Fax:0769-85493987 / Email: ylies@ylies.cn / Web:www.ylies.cn

PROJECTON		REV	UNIT	SCALE	PAGE
		A	mm	1:1	1/1

TITLE 258-2.54mm 圆孔排针 180度 DATE 2018-02-18

PART NO: R1630-XXXXXGS1002 DRAWING NO: