

ANGLE	± 5°	REV	LOCAS	DESCRIPTION	DESIGN	DATE	卫国强
X.XXX	± 0.05	01			DRAWN	DATE	尚伟
X.XX	± 0.15	02			CHECKED	DATE	吴汉学
X.X	± 0.25	03			AUDITED	DATE	龚劲松
X	± 0.50	04			APPROVED	DATE	eric

### Specifications/备注 (Remark)

#### 1-材料 (MATERIAL)

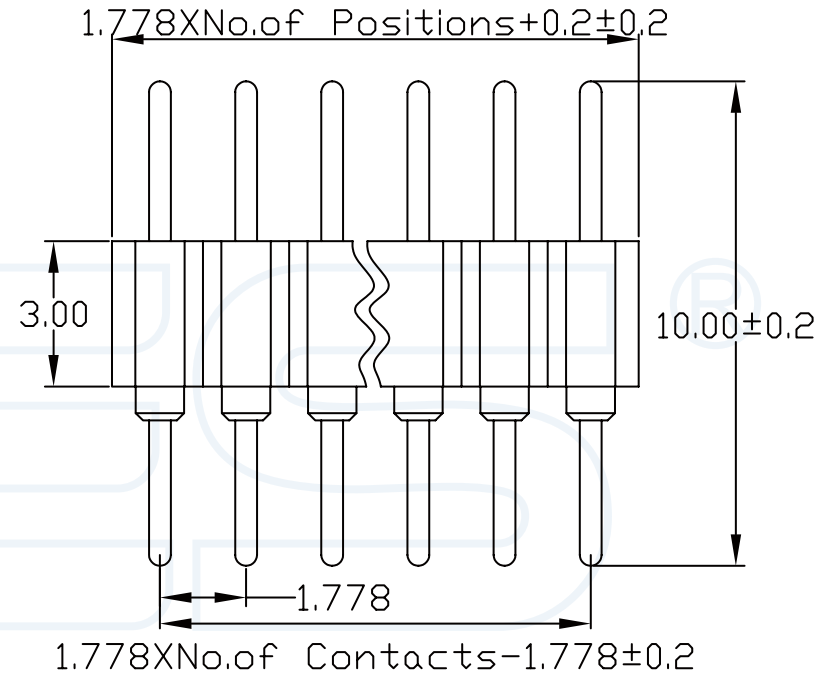
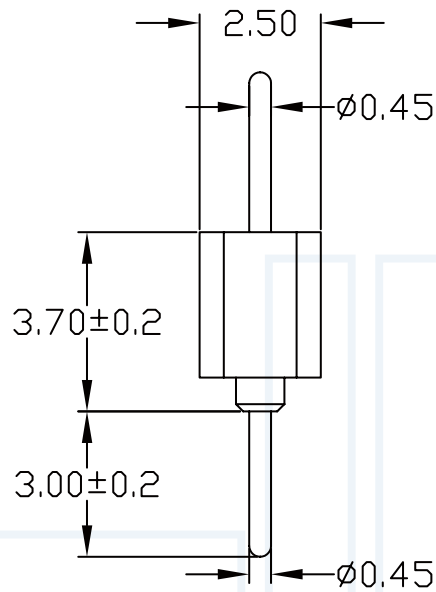
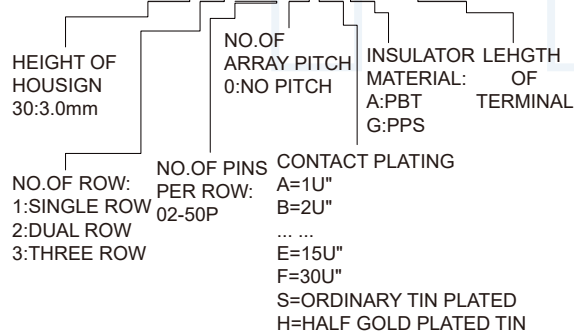
胶芯: PPS+30%G. UL94V-0, 颜色: 黑色  
 Housing: PPS+30%G. UL94V-0, Color: Black  
 端子: 黄铜  
 Contact: Brass CuZn 36Pb3 (C3600)  
 相配针:  $\phi$  0.41mm  
 Connecting Pin:  $\phi$  0.41mm

#### 2-特性 (characteristics):

额定电流: 1.0 AMP  
 Raring Current: 1.0AMP .  
 接触阻抗: 10m $\Omega$  MAX.  
 Contact Resistance: 10m $\Omega$  MAX .  
 绝缘阻抗: 1000M $\Omega$ MIN.  
 Dielectric strength: Min 1000V RMS

### ORDERING INFORMATION

**R14XX-X XX X X G S 100 1**



Stright socket connector elevated:  
 single row grid spacing 1.778mm  
 Availability from: 2 to 32 contacts  
 Standard number of contacts 21 and 32

**YLIES** 东莞市瑞翔精密连接器有限公司  
 DONG GUAN YLIES PRECISE CONNECTOR CO.,LTD

Tel:0769-85381995 / Fax:0769-85493987 / Email: ylies@ylies.cn / Web:www.ylies.cn

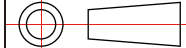
TITLE

240-1.778mm 圆孔排针 180度

DATE

2018-02-18

PROJECTON



REV

A

UNIT

mm

SCALE

1:1

PAGE

1/1

PART NO:

1.778mm 圆孔排针 180度

DRAWING NO:

1

2

3

4

5

6

7

8

9