

1 2 3 4 5 6 7 8 9

ANGLE	± 5°	REV	LOCAS	DESCRIPTION	DESIGN	DATE	卫国峰
X.XXX	± 0.05	01			DRAWN	DATE	尚伟
X.XX	± 0.15	02			CHECKED	DATE	吴汉学
X.X	± 0.25	03			AUDITED	DATE	龚劲松
X	± 0.50	04			APPROVED	DATE	eric

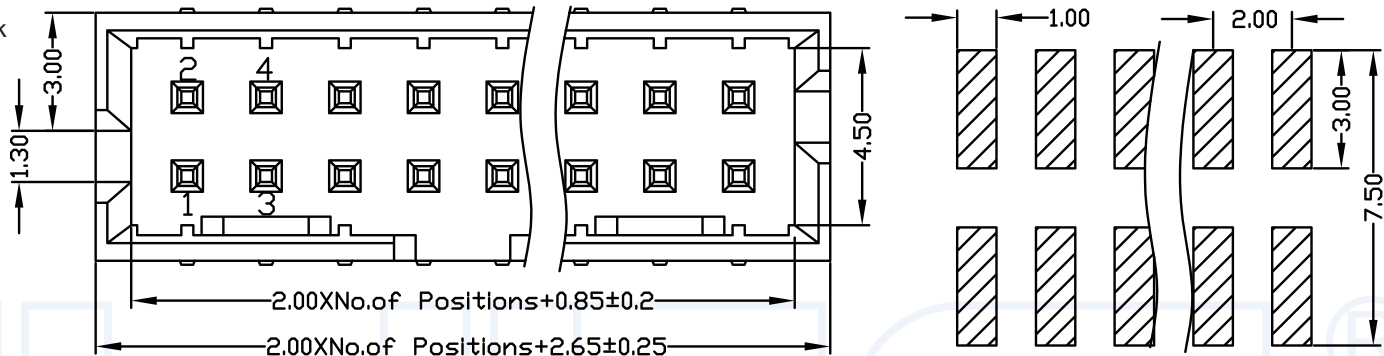
Specifications/备注 (Remark)

1-材料 (MATERIAL)

胶芯: PA6T/LCP+30%G.F UL94V-0, 颜色: 黑色
 Housing: PA6T/LCP+30%G.F UL94V-0, Color: Black
 四方针: 黄铜/镍底30u"MIN/表面镀金0.8u"MIN
 Contact: Brass/0.8u"MIN GOLD PLATING
 OVER ALL 30u"MIN NICKEL UNDERPLATING
 OVER ALL

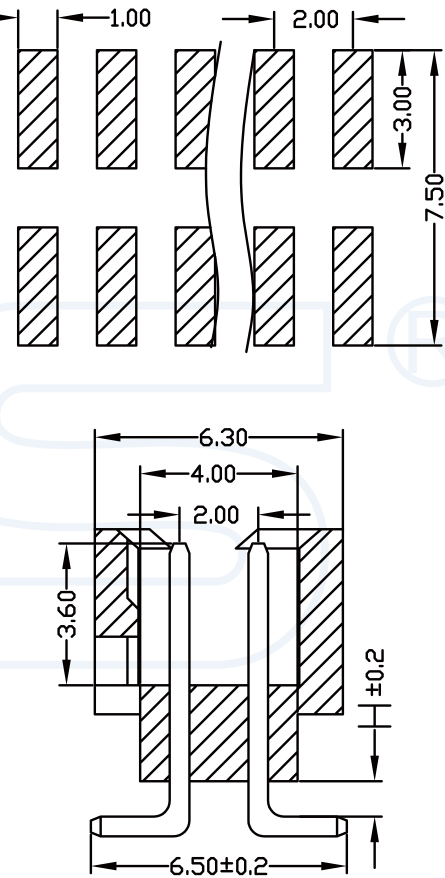
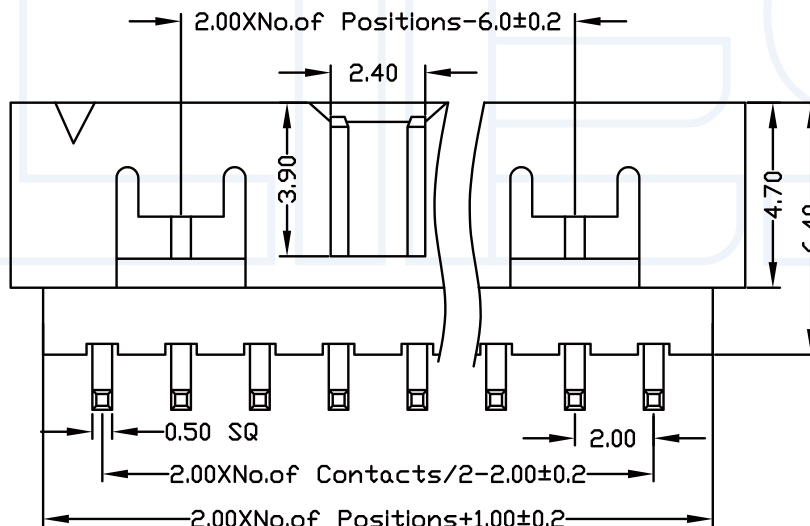
2-特性 (characteristics):

额定电流: 2 AMP
 Raring Current: 2 AMP .
 接触阻抗: 20mΩ MAX.
 Contact Resistance: 20mΩ MAX .
 绝缘阻抗: 1000MΩMIN.
 Insulating Resistance: 1000MΩMIN.
 耐电压: AC 500V.
 Withstanding Voltage: AC 500V.
 温度范围: -40度至+105度
 Temperature Range: -40°Cto +105°C



ORDERING INFORMATION
3564-1 XX XX X MX X 1

NO. OF PINS PER ROW 06-64P	INSULATOR MATERIAL A: PA6T C: PA9T D: LCP	PACKING A: PE Bag B: TOPE&REED C: TUBE D: TUBE+CAP E: TRAY
HEIGHT OF HOUSING 64: 6.4mm	CONTACT PLATING FULL OF GOLD SEMI-GOLD A0=0.8u" B0=0.8U"	
.....	
A9=30u" S1=ORDINARY TIN PLATED	B9=30U" S2=MATTE TIN PLATED	
S3=TIN-PLATED HIGH-TEMPERATURE		



ITEM	H	
Standard	0	0.90
Alternate		

YLIES 东莞市瑞翔精密连接器有限公司
 DONG GUAN YLIES PRECISE CONNECTOR CO.,LTD

Tel: 0769-85381995 / Fax: 0769-85493987 / Email: ylies@ylies.cn / Web: www.ylies.cn

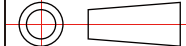
TITLE

191-2.0mm 简易牛角 莫仕加高 SMT

DATE

2018-02-18

PROJECTON



REV

A

UNIT

mm

SCALE

1:1

PAGE

1/1

PART NO:

3564-1XXXXXXMX1

DRAWING NO:

1 2 3 4 5 6 7 8 9